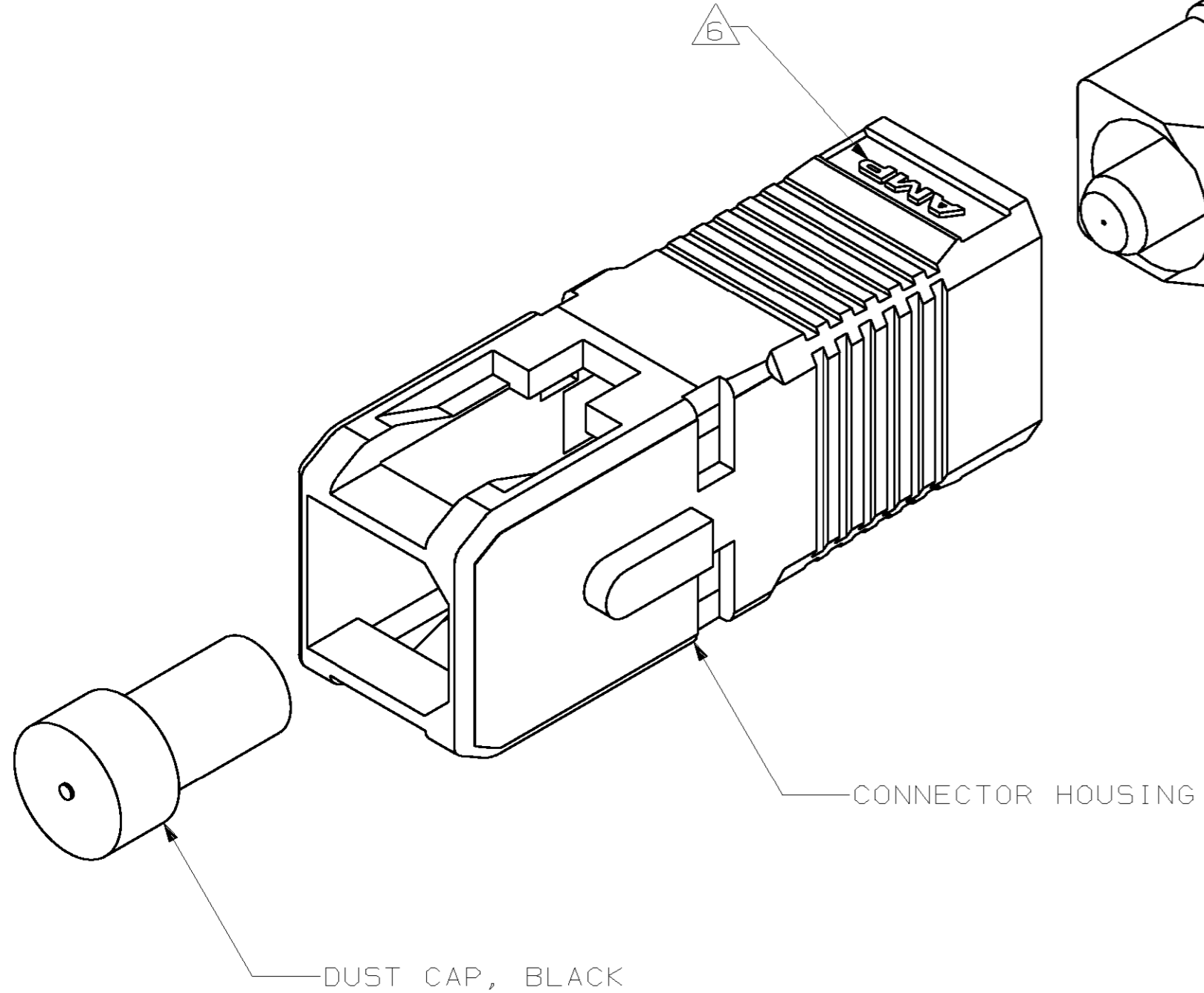
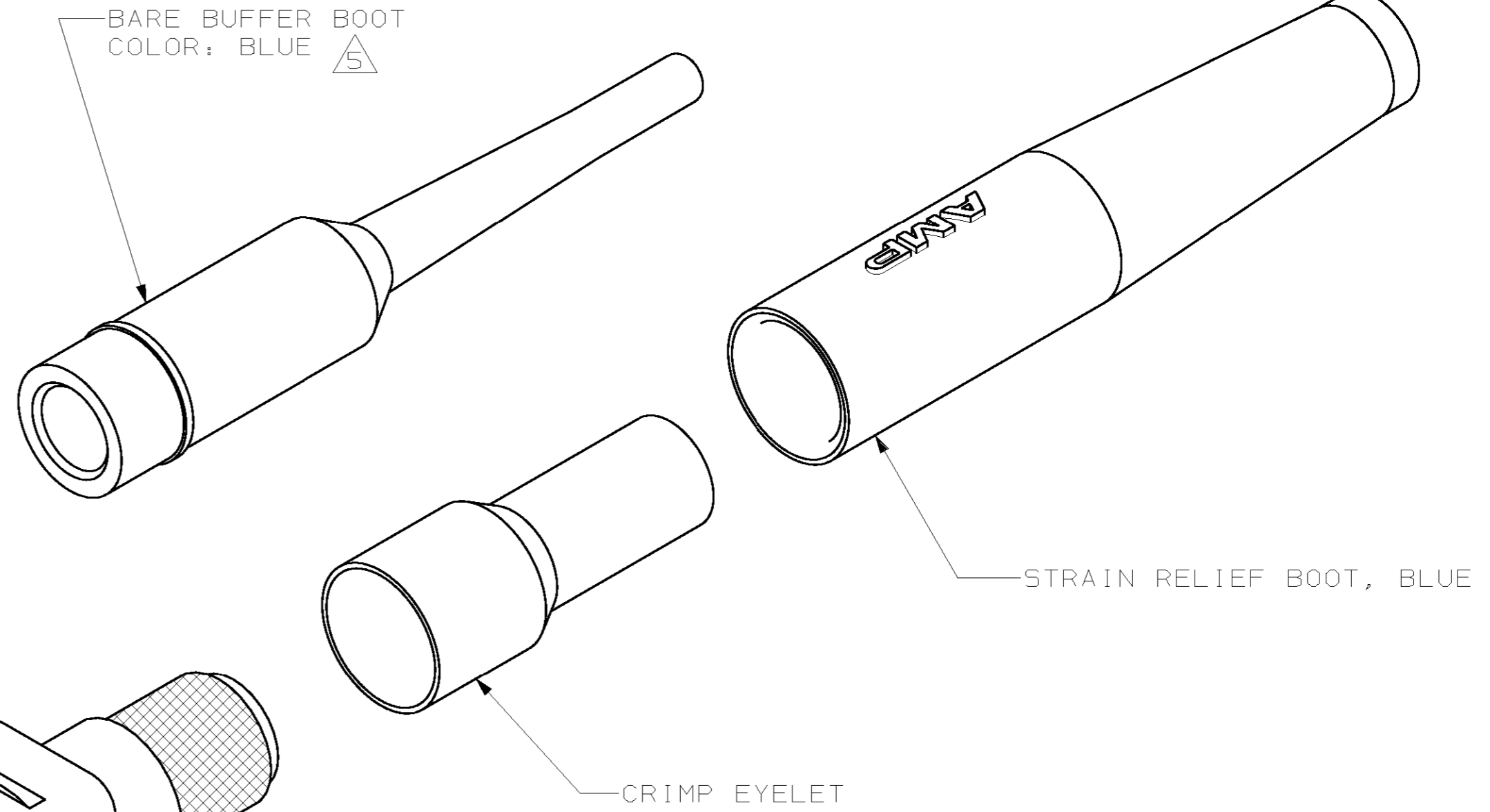


THIS DRAWING IS UNPUBLISHED. RELEASED FOR PUBLICATION .19
 © COPYRIGHT 19 BY AMP INCORPORATED. ALL RIGHTS RESERVED.

LOC	DIST	REVISIONS			
P	LTR	DESCRIPTION	DATE	DWN	APVD
CE	16	F	REVISED PER 0UB0-0304-01	25MAY2001	TA SB

1 MATERIAL:
 CONNECTOR HOUSING: THERMOPLASTIC
 PLUG HOUSING: THERMOPLASTIC
 INTERNAL BODY: THERMOPLASTIC
 SPRING: STAINLESS STEEL
 FERRULE BASE: THERMOPLASTIC
 FERRULE: CERAMIC
 CRIMP EYELET: PLATED COPPER
 STRAIN RELIEF: THERMOPLASTIC ELASTOMER
 DUST CAP: THERMOPLASTIC

- 2 BULK PACKAGE, 500 PIECES.
- 3. FOR USE WITH 3.0mm "LOOSE-JACKETED" CABLE.
- 4 CONTAINS NO STRAIN RELIEFS.
- 5 INCLUDES BARE BUFFER BOOT
- 6 NO AMP LOGO



4 2	RED	126µm FERRULE	504646-9
6 4 2	BLUE	126µm FERRULE	504646-8
5	BLUE	126µm FERRULE	504646-7
4 2	BLUE	126µm FERRULE	504646-6
4 2	BLUE	125µm FERRULE	504646-5
2	BLUE	126µm FERRULE	504646-4
2	BLUE	125µm FERRULE	504646-3
	BLUE	126µm FERRULE	504646-2
	BLUE	125µm FERRULE	504646-1
CONNECTOR HOUSING COLOR		DESCRIPTION	PART NUMBER

<small>THIS DRAWING IS A CONTROLLED DOCUMENT FOR AMP INCORPORATED. IT IS SUBJECT TO CHANGE AND THE CONTROLLING ENGINEERING ORGANIZATION SHOULD BE CONTACTED FOR THE LATEST REVISION.</small>		DWN B.BRIGGS 7-13-95	AMP Incorporated Harrisburg, PA 17105-3608
DIMENSIONS: mm (INCHES)		CHK T.FAWCETT 7-13-95	
<small>TOLERANCES UNLESS OTHERWISE SPECIFIED:</small> 0 PLC ± 1 PLC ± 2 PLC ± 3 PLC ± 4 PLC ± ANGLES ± FINISH -		APVD D.STAKEM 7-13-95	NAME AMP SC, SINGLEMODE CONNECTOR KIT, ONE PIECE, 3.0mm
MATERIAL 1		PRODUCT SPEC -	SIZE A2
		APPLICATION SPEC -	CAGE CODE 00779
		WEIGHT -	DRAWING NO C-504646
		CUSTOMER DRAWING	SCALE NTS
			SHEET 1 OF 1
			REV F

504646