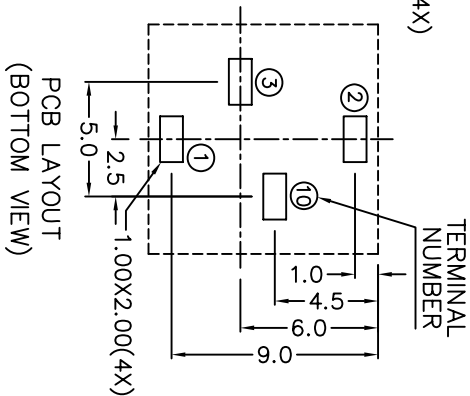
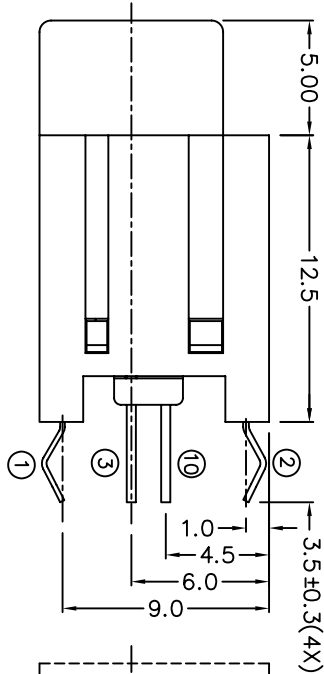
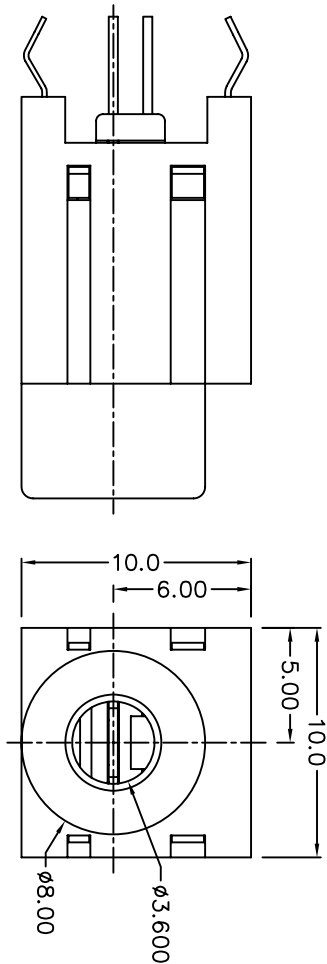
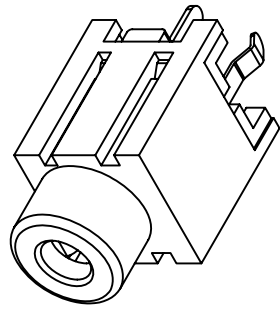
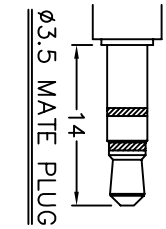


RoHS
Compliant

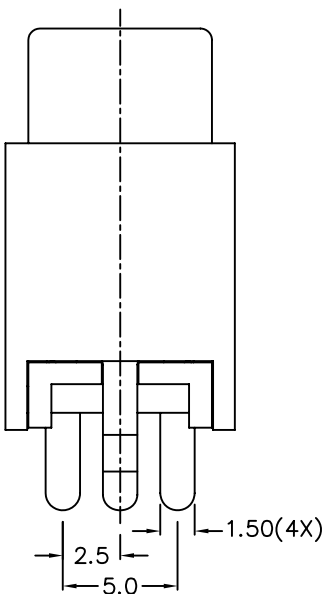
ZONE	SYMBOL	REVISION	APPROVAL	DATE
		ADD MATE PLUG	JX.KUANG	3-8-2006



*** MATERIAL**
 TERMINAL 1 : COPPER ALLOY
 TERMINAL 2 : COPPER ALLOY
 TERMINAL 3 : BRASS
 TERMINAL 10 : BRASS
 HOUSING : PBT
 COVER : PBT



MODEL NO.	TSH-3834	TSH-3833	TSH-3833A
SCHEMATIC			



4

3

2

1



奥柏科技

PART NAME 3.5mm STEREO JACK
 PART NO. TSH-383

TOLERANCE UNLESS 0.0±0.2
 OTHERWISE SPECIFIED: 0.000±0.1
 0.000±0.05

UNIT: mm

DESIGN	T.Y.LI	DATE	18-6-2003	SCALE	3:1
DRAWING	T.Y.LI	DATE	3-8-2006	MATERIAL	*
CHECK		DATE		DWG. NO.	1Z\SH383-PBT/B
APPROVAL		DATE		SHEET	

4

3

2

1

F

E

D

C

B

A

DCF-04/A