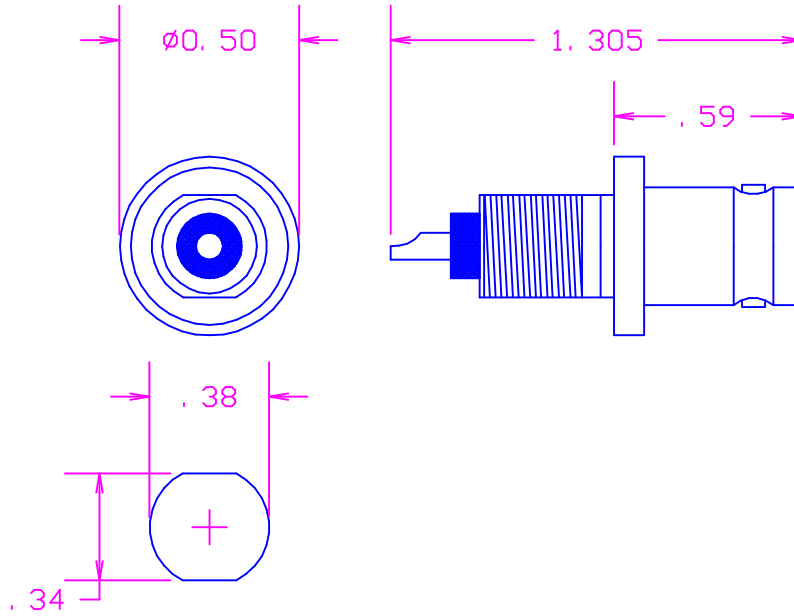


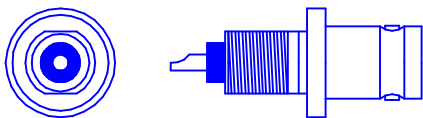
DATE	SYM	REVISION	RECORD	AUTH.	DR.	CK.
4/29/98	-	ISSUED		IL	NT	GH

VIEW FOR REAR



MATERIAL: BODY- BRASS PER ASTM B16  
 CONTACT- BERYLLIUM COPPER  
 INSULATION- PTFE PER ASTM D1710  
 FINISH: BODY- NICKEL  
 CONTACT- GOLD PLATED  
 SUPPLIED WITH HEX. NUT AND WASHER

ACTUAL SIZE



TOLERANCES	CONCORD ELECTRONICS CORPORATION		
DECIMAL + -	P/N	SCALE	30 GREAT JONES ST. NEW YORK N. Y. 10012
FRACTIONAL + -	TITLE BNC FEMALE BULKHEAD RECEPTACLE		
ANGULAR + -	DATE 3-4-98	DRAWING NUMBER 800-2481-03-3J	