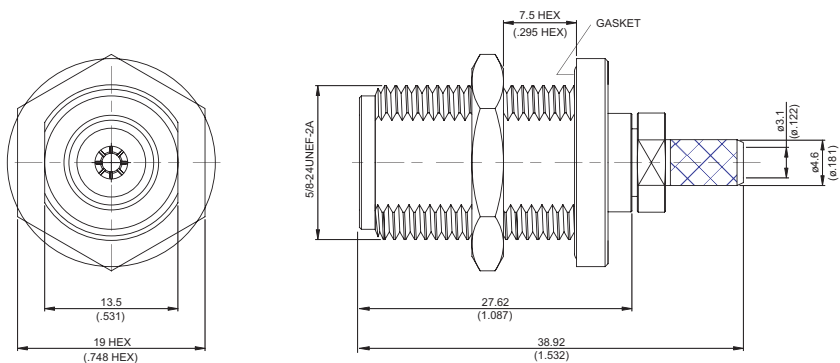
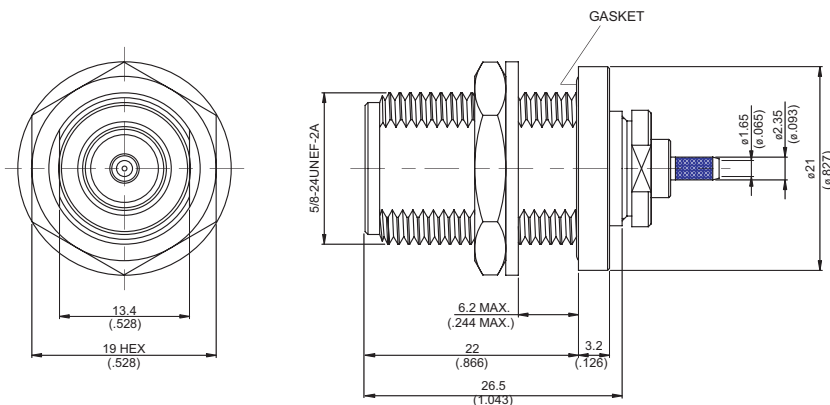


▶ N JACK CRIMP FOR BULKHEAD



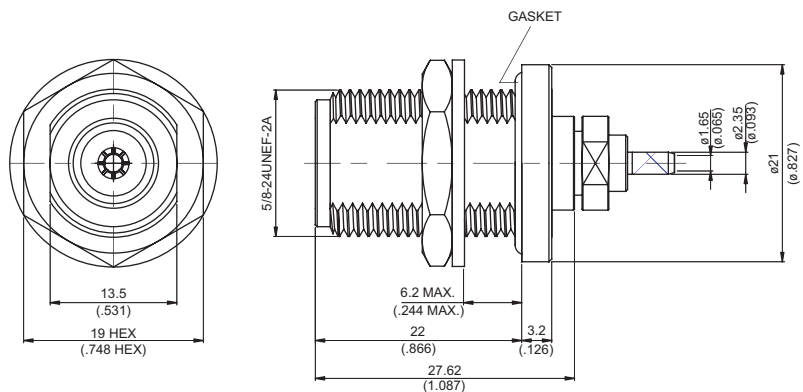
Part Number	M.H.	Weight	Material	Suitable Cables	Remarks
N8105S-0058	7		B3	RG58, JBY195	Stainless
N8105S-0142	7	38.40g	B3	RG55, RG142, RG142-E, RG400	Stainless
N8105S-0223	7		B3	RG223	Stainless

▶ N REVERSE POLARITY JACK CRIMP FOR BULKHEAD



Part Number	M.H.	Weight	Material	Suitable Cables	Remarks
N9105-0316	7	37.60g	A2	RG174, RG188, RG316, RG316-E, RG316-FEP, JBY100	Reverse Polarity Jack; With Gasket

▶ N REVERSE POLARITY JACK CRIMP FOR BULKHEAD



Part Number	M.H.	Material	Suitable Cables	Remarks
N8105P-0316	7	C2	RG174, RG188, RG316, RG316-E, RG316-FEP, JBY100	With Gasket
N8105PD-0316	7	C2	RD316, RG316D-E, RD316-FEP	With Gasket