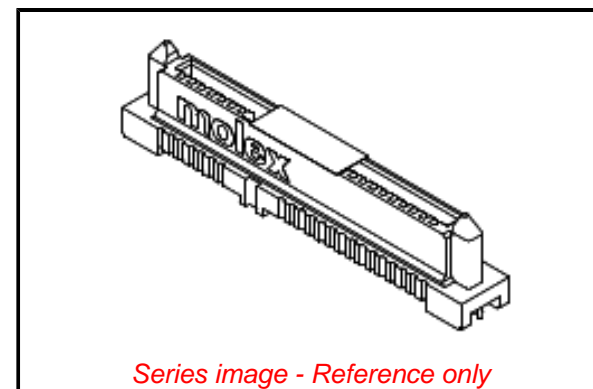


PLEASE CHECK WWW.MOLEX.COM FOR LATEST PART INFORMATION

Part Number: [0877131006](#)
Status: **Active**
Overview: Serial ATA Connectors
Description: 1.27mm Pitch Serial ATA Host Receptacle, Surface Mount, Vertical, Standard Height, with 1.05mm Plastic Locating Peg, 0.76µm Gold (Au) Selective Plating, with Kapton Tape, Tape on Reel Packaging, 22 Circuits, Lead-Free

Documents:

[3D Model](#) [Packaging Specification PK-87713-002-001 \(PDF\)](#)
[Drawing \(PDF\)](#) [RoHS Certificate of Compliance \(PDF\)](#)
[Product Specification PS-87713-016-001 \(PDF\)](#)



Series image - Reference only

Agency Certification

CSA LR19980
 UL E29179

General

Product Family PCB Receptacles
 Series [87713](#)
 Application Board-to-Board, Signal
 Comments 1.05mm Plastic Locating Peg
 Overview [Serial ATA Connectors](#)
 Product Name Serial ATA
 UPC 883906317690

Physical

(p)ower-(s)ignal Configuration 15p - 7s
 Circuits (Loaded) 22
 Circuits (maximum) 22
 Durability (mating cycles max) 500
 Flammability 94V-0
 Glow-Wire Capable No
 Lock to Mating Part Yes
 Material - Metal Copper Alloy
 Material - Plating Mating Gold
 Material - Plating Termination Tin
 Material - Resin High Temperature Thermoplastic
 Net Weight 1.486/g
 Number of Rows 1
 Orientation Vertical
 PCB Locator Yes
 PCB Retention None
 Packaging Type Tray
 Pitch - Mating Interface 1.27mm
 Plating min - Mating 0.762µm
 Plating min - Termination 2.540µm
 Polarized to Mating Part Yes
 Polarized to PCB Yes
 Surface Mount Compatible (SMC) N/A
 Temperature Range - Operating -40° to +105°C
 Termination Interface: Style Surface Mount

Electrical

Current - Maximum per Contact 1.5A
 Voltage - Maximum 30V

Solder Process Data

Duration at Max. Process Temperature (seconds) 010

EU ELV

Not Relevant

EU RoHS

Compliant

REACH SVHC

Not Contained Per -
 D(2021)4569-DC (8
 July 2021)

Halogen-Free

Status

Low-Halogen

For more information, please visit [Contact US](#)

China ROHS

ELV

RoHS Phthalates

China RoHS

Green Image

Not Relevant

Not Contained

Search Parts in this Series

[87713 Series](#)

Mates With

[87679](#) , [87799](#) , [87703](#)

Lead-free Process Capability
Max. Cycles at Max. Process Temperature
Process Temperature max. C

REFLOW
001
260

Material Info

Reference - Drawing Numbers

Electrical Model Document

EE-78178-001-001, EE-78328-001-001,
EE-78328-002-001, EE-87703-003-001,
EE-87713-001-001

Packaging Specification

PK-87713-002-001

Product Specification

PS-87713-016-001

S-Parameter Model

SP-87713-001-001

Sales Drawing

SD-87713-029-001

This document was generated on 08/26/2021

PLEASE CHECK WWW.MOLEX.COM FOR LATEST PART INFORMATION

Mouser Electronics

Authorized Distributor

Click to View Pricing, Inventory, Delivery & Lifecycle Information:

[Molex:](#)

[87713-1006](#)