

CATALOG NUMBER

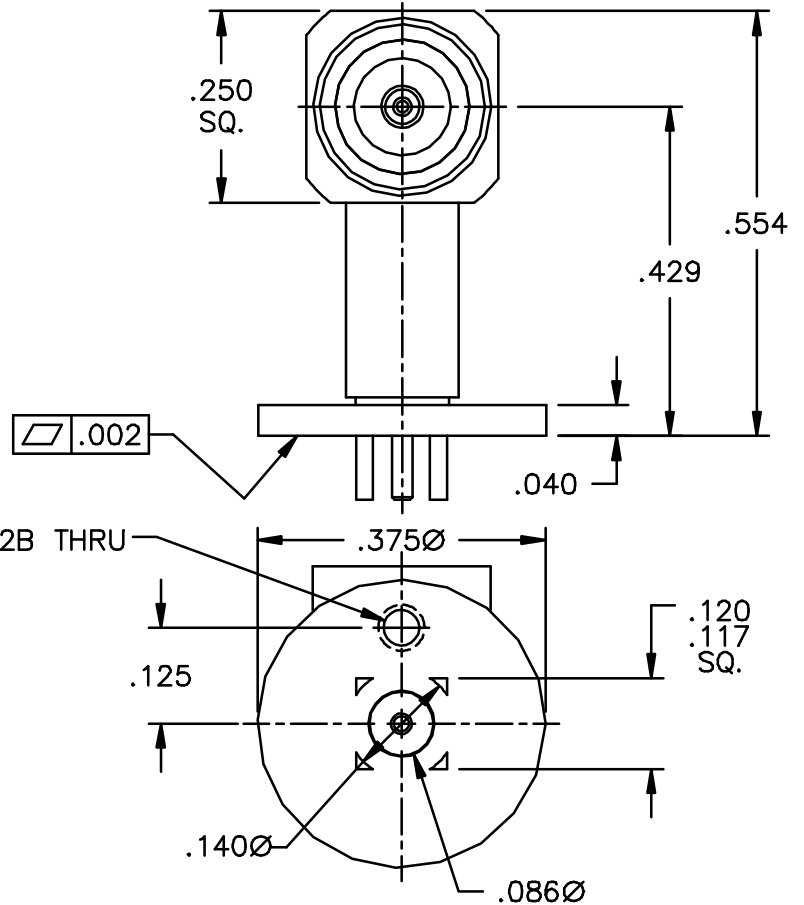
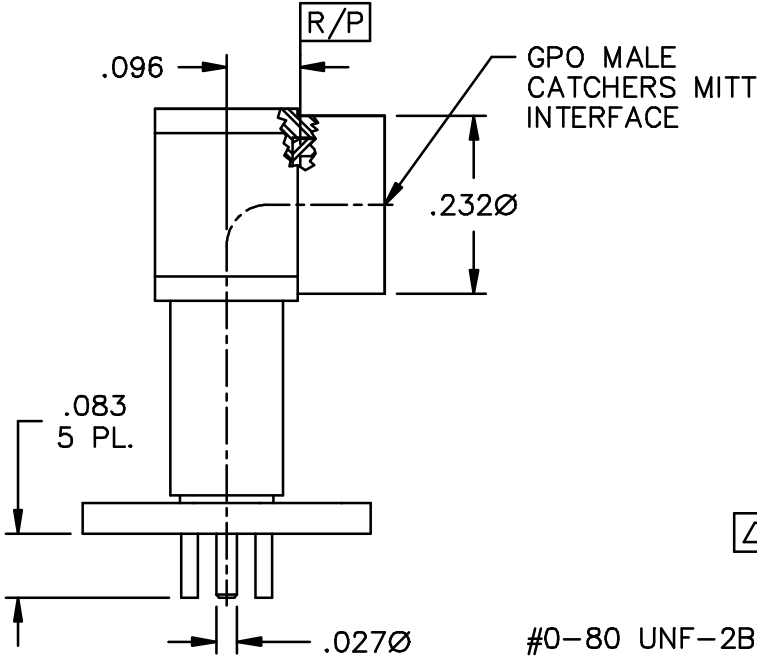
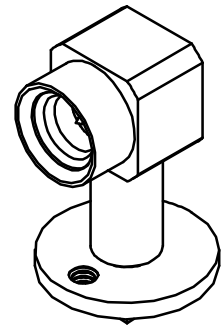
0119-714-3

MATERIAL AND FINISH

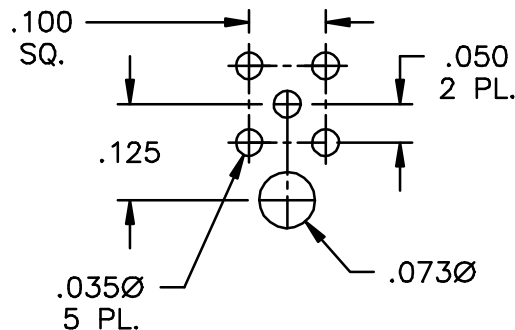
HOUSING AND INSERT: CRES 303; PASSIVATED

CENTER CONTACT AND BASE: BeCu; GOLD PLATE 50-100 MICROINCHES OVER NICKEL PLATE 50 MICROINCHES MIN.

DIELECTRICS: VIRGIN PTFE



#0-80 UNF-2B THRU



HOLE PATTERN WITH GPO FACING THIS DIRECTION

This drawing and any data contained herein is the property of Corning Gilbert Inc., and constitutes and contains proprietary and confidential information. Neither receipt nor possession of this drawing confers or transfers any right to duplicate, use or disclose any information contained herein except as expressly authorized by Corning Gilbert Inc.

GPO MALE
CATCHERS MITT
R/A TO P.C.B.

IDENT CODE:
82316

REVISION: D

Corning Gilbert Inc.

SOURCE FILE: MECR# 1707

DWG. NO.:

OL-0119-714-3

ASSY. PROC.:

-