

MATERIAL:

- 1.HOUSING: LCP, GLASS FIBER FILLED, BK
- 2.CONTACT: COPPER ALLOY
- 3.GUARD PLATE:STAINLESS STEEL
- 4.SHIELD: STAINLESS STEEL

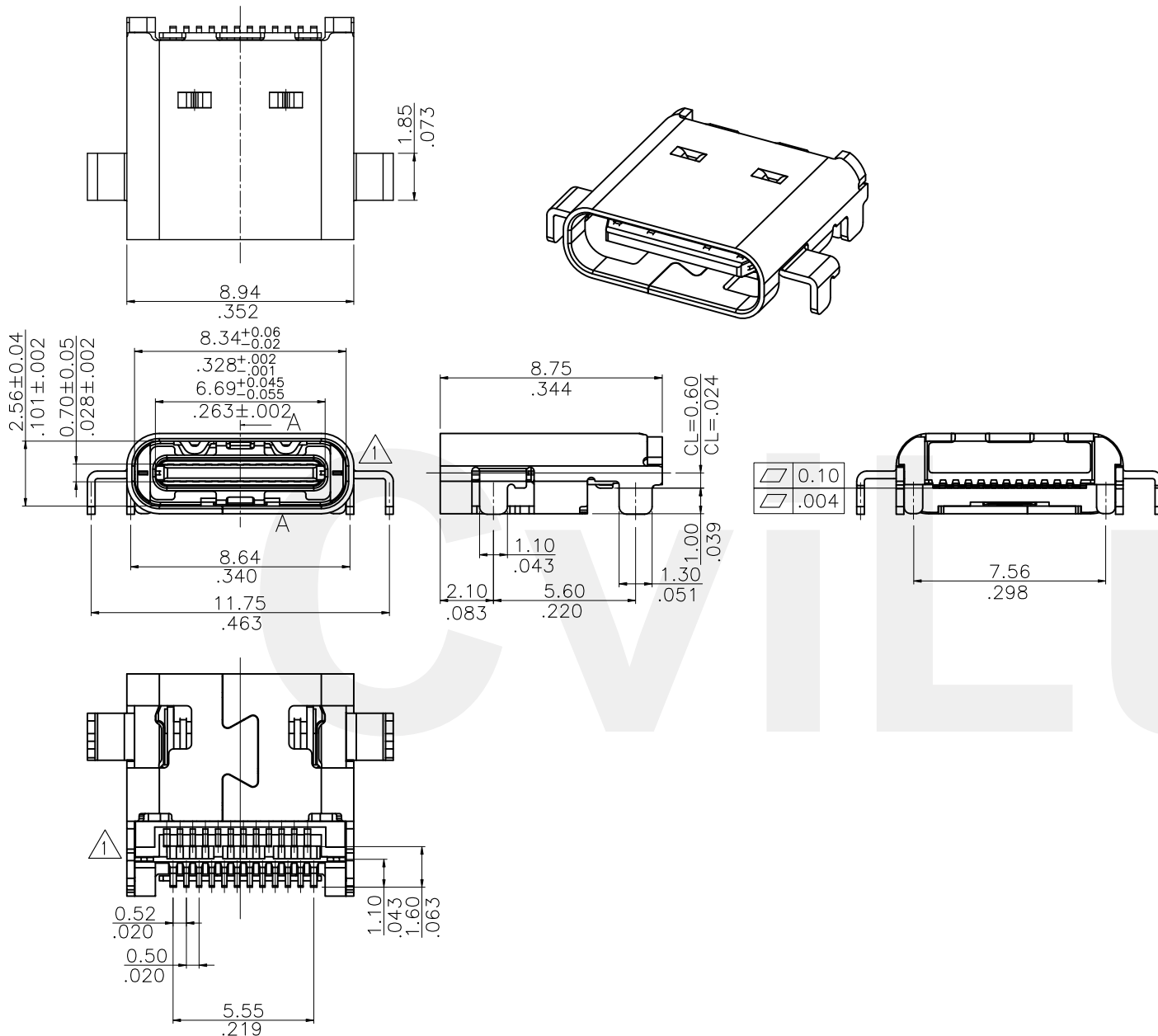
FINISH:

- CONTACT: SEE ORDER INFORMATION
- SHELL: NICKEL PLATING

Ordering Code:

CU30 24 S \* B A L R 001 -LF  
 ① ② ③ ④ ⑤ ⑥ ⑦ ⑧ ⑨

- ① Series No:CU30
- ② No. of Circuits: 24Pin
- ③ Contact type: S= Socket
- ④ Contact Plating option:  
 A= Gold Flash plated on Contact area,  
 Matte Tin plated on Soldertails,  
 Nickel underplating over all  
 B= 15u" gold plated on Contact area,  
 Matte Tin plated on Soldertails,  
 Nickel underplating over all  
 C= 30u" gold plated on Contact area,  
 Matte Tin plated on Soldertails,  
 Nickel underplating over all
- ⑤ Shell Material & Plating:B=STAINLESS STEEL
- ⑥ Contact Material: A= COPPER ALLOY
- ⑦ Insulator Material & Color option:  
 L= LCP Black
- ⑧ Packing Option: R= Tape & Reel
- ⑨ -LF= For Lead Free IR Reflow Process



Lead Free Process      RoHS compliant

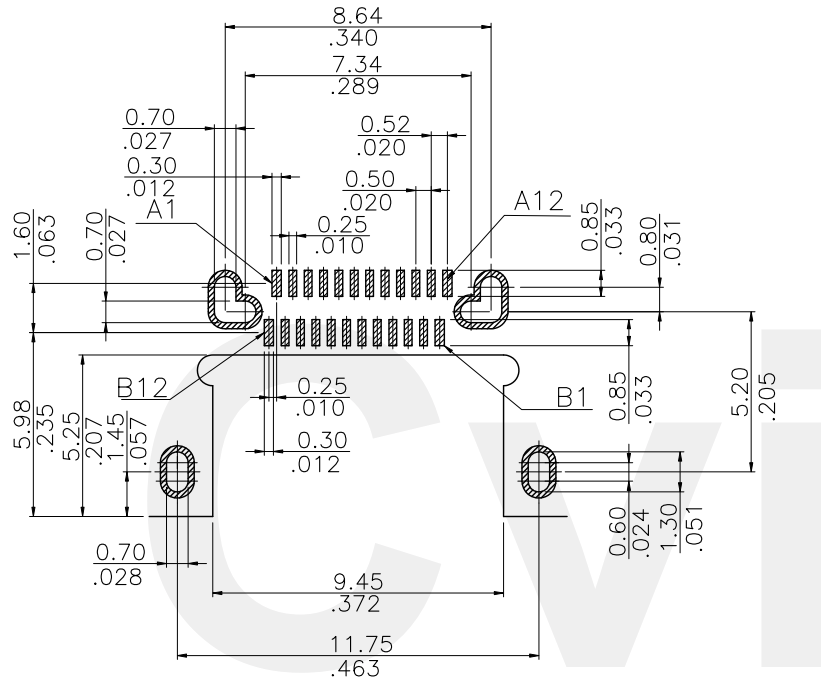


④					DATE	UNIT: mm / inch	TITLE:
③					7/14-21'	TOLERANCE	Type C/F 24 PIN CL=0.60mm
②					7/14-21'	UNLESS OTHERWISE SPECIFIED	SMT TYPE MIDDLE MOUNT TYPE
①	Annie	2021/07/12	ECRD121032 REVISIONS	CHECKED BY:	KENY	7/14-21'	MATERIAL:
SYM	NAME	DATE	REVISIONS	APPROVED BY:	KENY	7/14-21'	FINISH:

CVILUX COUP  
 2021.07.15  
 ISSUED

DRAWING NO.	CU30S01SB	PART NO.	CU3024S*BALR001-LF
SCALE	1 / 1	SHEET	1 OF 3

USB TYPE-C FULL-FEATURED RECEPTACLE INTERFACE PIN ASSIGNMENTS

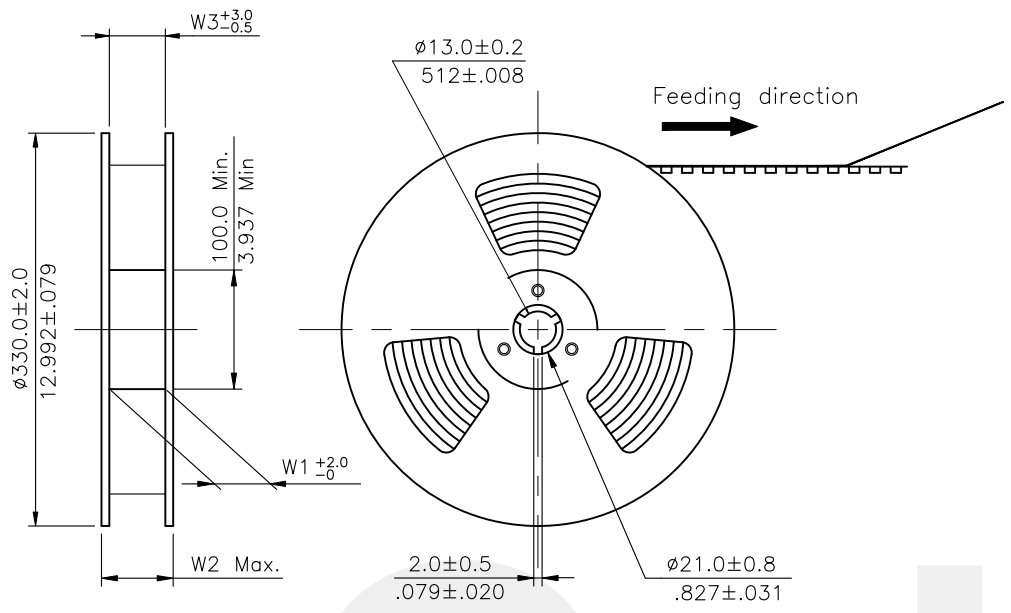


PCB LAYOUT  
 RECOMMENDED P.C.B. LAYOUT (T:1.00mm)  
 TOLERANCE ±0.05mm

PIN	Signal Name	Description	PIN	Signal Name	Description
A1	GND	Ground return	B12	GND	Ground return
A2	SSTXp1	Positive half of first SuperSpeed TX differential pair	B11	SSRXp1	Positive half of first SuperSpeed RX differential pair
A3	SSTXn1	Negative half of first SuperSpeed TX differential pair	B10	SSRXn1	Negative half of first SuperSpeed RX differential pair
A4	Vbus	Bus Power	B9	VBUS	Bus Power
A5	CC1	Configuration Channel	B8	SBU2	Sideband Use(SBU)
A6	Dp1	Positive half of the USB 2.0 differential pair-Position 1	B7	Dn2	Negative half of the USB 2.0 differential pair-Position 2
A7	Dn1	Negative half of the USB 2.0 differential pair-Position 1	B6	Dp2	Positive half of the USB 2.0 differential pair-Position 2
A8	SBU1	Sideband Use(SBU)	B5	CC2	Configuration Channel
A9	VBUS	Bus Power	B4	VBUS	Bus Power
A10	SSRXn2	Negative half of second SuperSpeed RX differential pair	B3	SSTXn2	Negative half of second SuperSpeed TX differential pair
A11	SSRXp2	Positive half of second SuperSpeed RX differential pair	B2	SSTXp2	Positive half of second SuperSpeed TX differential pair
A12	GND	Ground return	B1	GND	Ground return

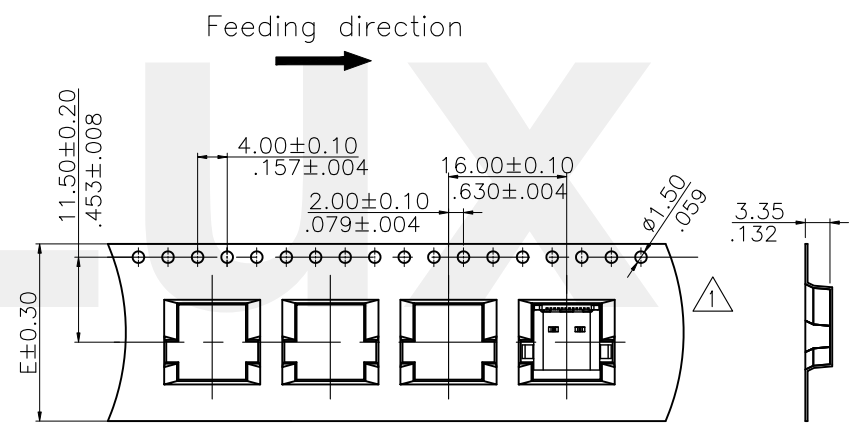
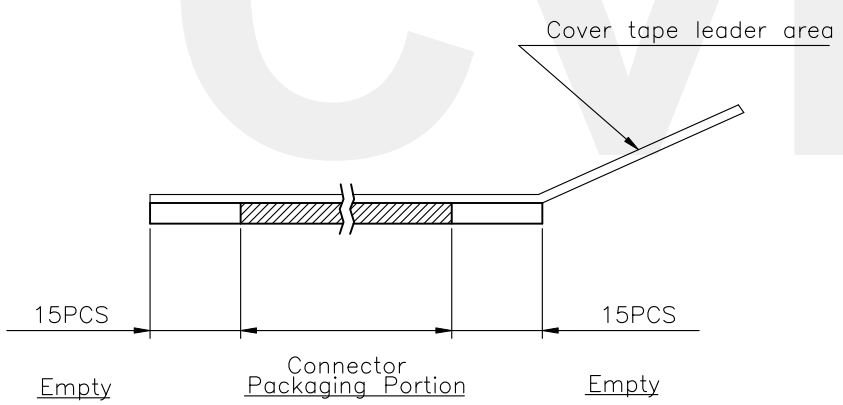
Lead Free Process      RoHS Compliant

						DATE	UNIT: mm / inch	TITLE:	瀚荃股份有限公司 CviLux Corporation
					DRAWN BY: Annie	7/14-21'	TOLERANCE UNLESS OTHERWISE SPECIFIED	Type C/F 24 PIN CL=0.60mm SMT TYPE MIDDLE MOUNT TYPE	
					ENGINEER: Annie	7/14-21'	.X ± 0.25/.010    X' ± 4'	MATERIAL:	
	Annie	2021/07/12	ECRD121032 REVISIONS		CHECKED BY: KENY	7/14-21'	.XX ± 0.20/.008    X" ± 2'	FINISH:	
SYM	NAME	DATE	REVISIONS	APPROVED BY: KENY	7/14-21'	.XXX ± 0.10/.004    .XX' ±		DRAWING NO. CU30S01SB	PART NO. CU3024S*BALR001-LF
								SCALE 1 / 1	SHEET 2 OF 3



- NOTE :
- \* Reel Material : HIPS
  - \* Carrier Material : Clear, Conductive Polystyrene Alloy
  - \* Cover Tape Material : Polyester
  - \* Cover Tape Peel Strength : 0.1N – 1.3N
  - \* Carrier camber is within 1mm in 250mm
  - \* All dimensions meet EIA-481-B requirements.
  - \* Quantity : 1200 PCS/Reel

Dimension				Packing (Reel/Carton)
E	W1	W2	W3	
24.0(.945)	24.5(.965)	30.5(1.201)	24.5(.965)	10



WIDTH : 24 mm Carrier

Lead Free Process  
RoHS Compliant

4					DATE	UNIT: mm / inch	TITLE:	瀚荃股份有限公司 CviLux Corporation
3					DRAWN BY: Annie	7/14-21'	Type C/F 24 PIN CL=0.60mm SMT TYPE MIDDLE MOUNT TYPE	
2					ENGINEER: Annie	7/14-21'	MATERIAL:	
1	Annie	2021/07/12	ECRD121032 REVISIONS	CHECKED BY: KENY	7/14-21'	.X ±	.X' ± 1'	
SYM	NAME	DATE	REVISIONS	APPROVED BY: KENY	7/14-21'	.XX ±	.X ±	DRAWING NO. CU30S01SB
						.XXX ±	.XX ±	PART NO. CU3024S*BALR001-LF
								SCALE
								SHEET 3 OF 3

CVILUX COUP  
2021.07.15  
ISSUED