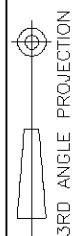


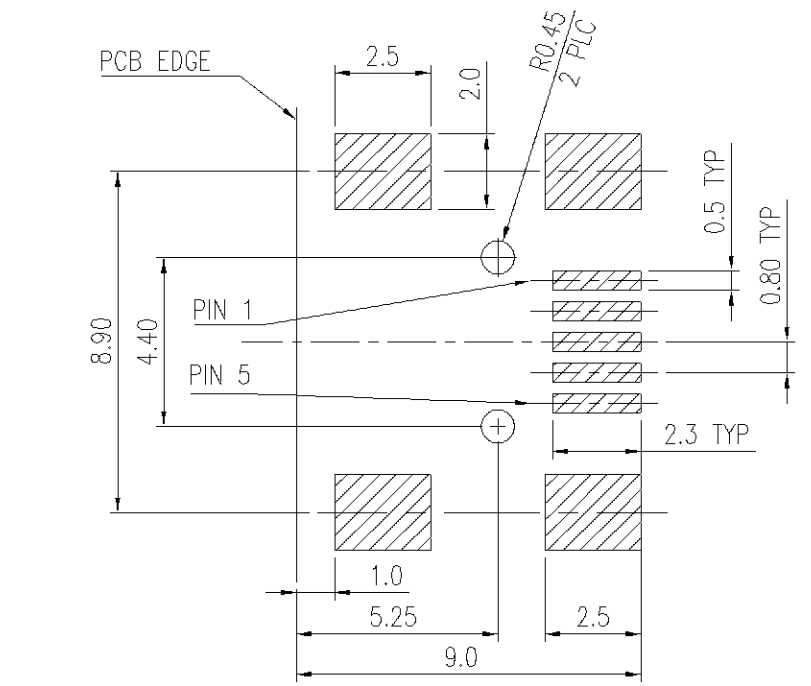
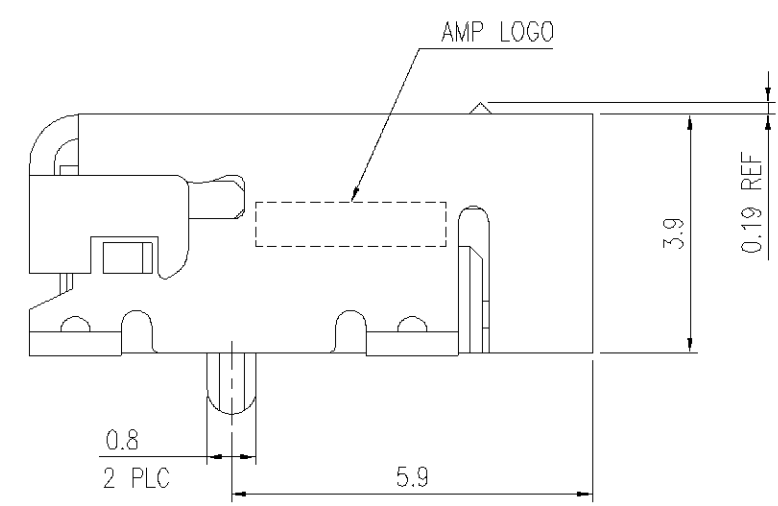
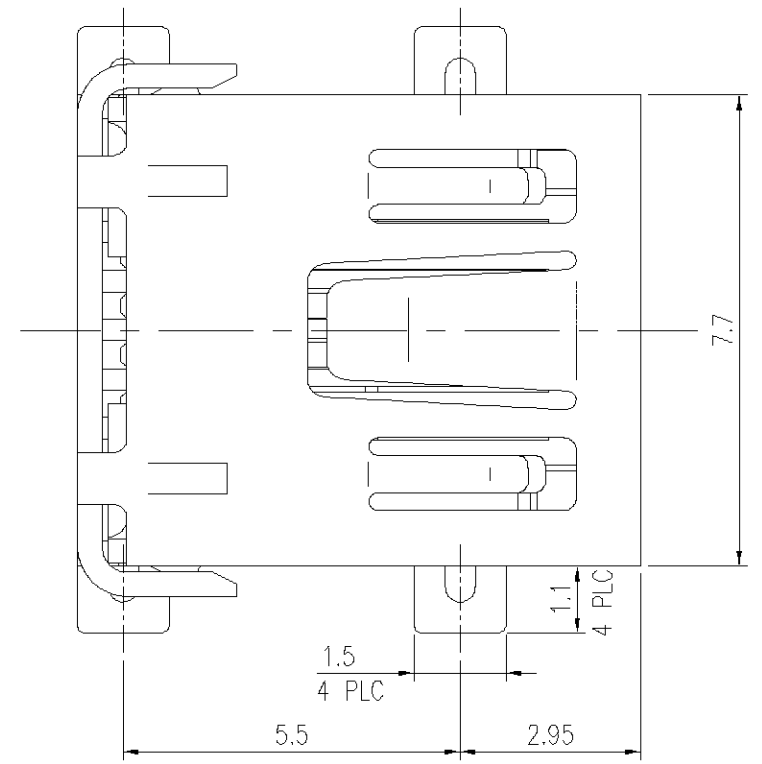
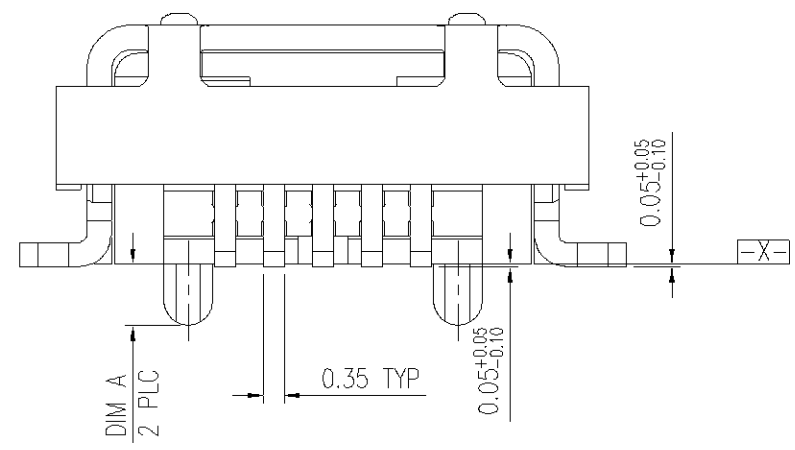
NUMBER
C-440479



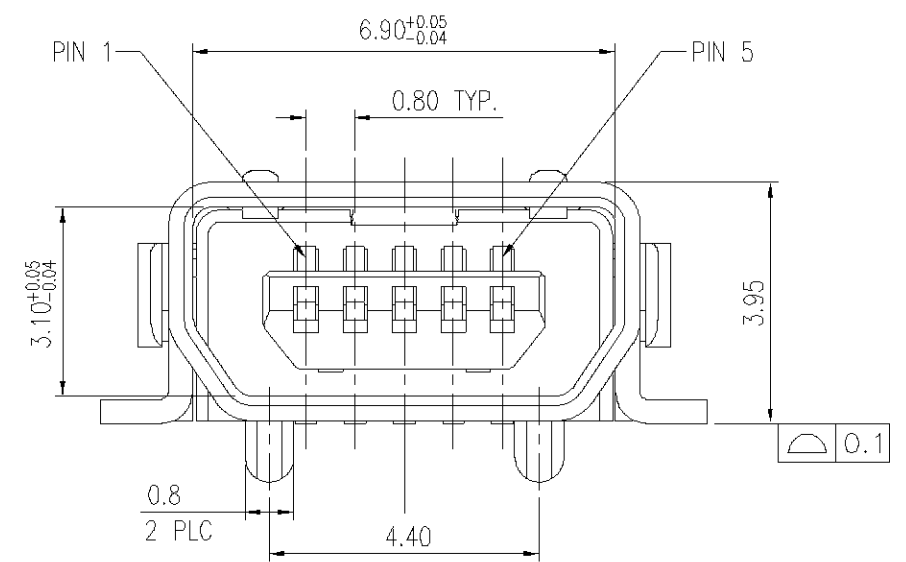
METRIC

THIS INFORMATION IS CONFIDENTIAL AND IS DISCLOSED TO YOU ON CONDITION THAT NO FURTHER DISCLOSURE IS MADE BY YOU TO OTHER THAN AMP PERSONNEL WITHOUT WRITTEN AUTHORIZATION FROM AMP (TAIWAN) LTD. DIMENSIONS IN MILLIMETERS. DO NOT SCALE PRINT.

PRINT DIST
DW



RECOMMENDED PCB LAYOUT (MOUNTING SIDE)
THICKNESS 1.57mm



- NOTE:
- MATERIAL:
HOUSING: HIGH TEMPERATURE THERMOPLASTIC UL 94V-0, COLOR: BLACK.
CONTACT: PHOSPHOR BRONZE.
SHELL: PHOSPHOR BRONZE.
 - FINISH:
CONTACT: 30u" MIN. GOLD PLATED IN CONTACT AREA, 100u" MIN. TIN-LEAD ON SOLDER TAILS, 50u" MIN. NICKEL UNDERPLATED ALL OVER.
SHELL: 100u" MIN. HALF-BRIGHT TIN OVER 100u" MIN. Cu UNDERPLATED.

D	ADD -11 & -12	FZ00-0032-03	AW / JC	28JAN 2003
LTR	REVISION RECORD	ECN	DWN / CHK	DATE

TOLERANCES UNLESS OTHERWISE SPECIFIED: 0 PLC ±0.38 1 PLC ±0.25 2 PLC ±0.13 3 PLC ±0.05 ANGLES ±3'	DWN A. WU 28-JAN-2003
MATERIAL SEE NOTE	CHK J. CHENG 28-JAN-2003
FINISH SEE NOTE	APVD J. WU 28-JAN-2003
	PRODUCT SPEC 108-57062
	APPLICATION SPEC -
	WEIGHT

0.6	TAPE REEL	1-440479-2
0.6	TRAY	1-440479-1
1.0	TAPE REEL	440479-2
1.0	TRAY	440479-1
DIM A	PACKAGE	PART NUMBER

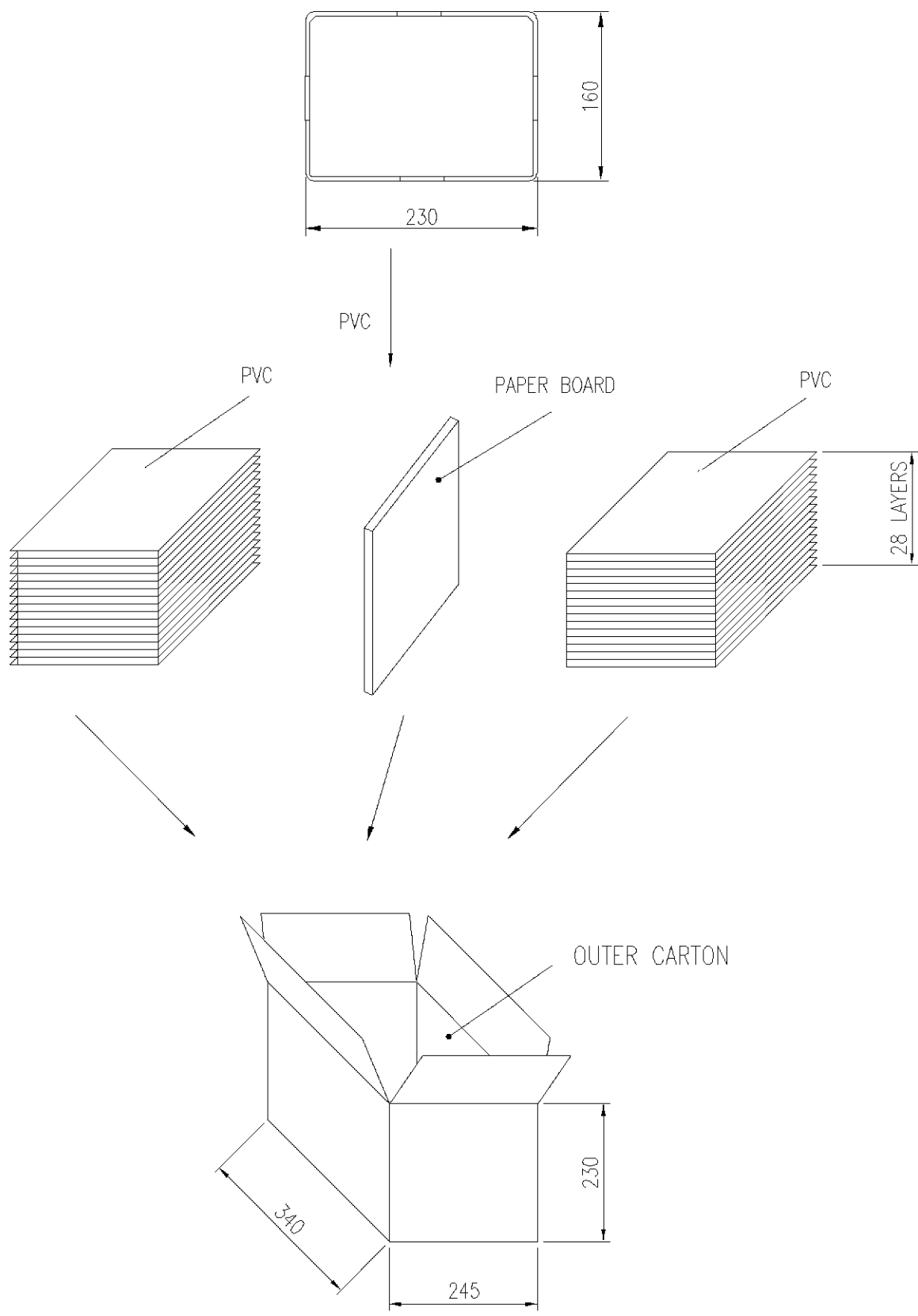
tyco Electronics
TYCO HOLDINGS (BERMUDA) VII LTD. TAIWAN BRANCH

NAME
MINI USB TYPE AB, RECEPTACLE, 5 POS., RIGHT ANGLE, SMT

LOC	SIZE	DRAWING NO	REV
DW	A ₃	C-440479	D
SCALE	SHEET		
--	1 OF 3		

THIS INFORMATION IS CONFIDENTIAL AND IS DISCLOSED TO YOU ON CONDITION THAT NO FURTHER DISCLOSURE IS MADE BY YOU TO OTHER THAN AMP PERSONNEL WITHOUT WRITTEN AUTHORIZATION FROM AMP (TAIWAN) LTD. DIMENSION IN MILLIMETERS. DO NOT SCALE PRINT.

PRINT DIST
 DW



PCS/TRAY	PACKAGING QUANTITY / OUTER CARTON 裝箱數量 / 外箱	N.W(KGS) 淨重	G.W(KGS) 毛重
150	8400 (56 TRAY)	6.7	9.2

TOLERANCES UNLESS OTHERWISE SPECIFIED: 0 PLC ± 1 PLC ±± 2 PLC ±±± 3 PLC ±±±± ANGLES ±	DWN A. WU 28-JAN-2003	TYCO HOLDINGS (BERMUDA) VII LTD. TAIWAN BRANCH
	CHK J. CHENG 28-JAN-2003	
MATERIAL -	APVD J. WU 28-JAN-2003	NAME MINI USB TYPE AB, RECEPTACLE, 5 POS., RIGHT ANGLE, SMT
FINISH -	PRODUCT SPEC -	LOC DW
	APPLICATION SPEC -	SIZE A ₃
	WEIGHT	DRAWING NO C-440479
		REV D
		SCALE --
		SHEET 2 OF 3

SEE SHEET 1.	ECN	DWN CHK	DATE
LTR	REVISION RECORD		

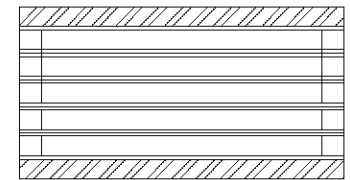
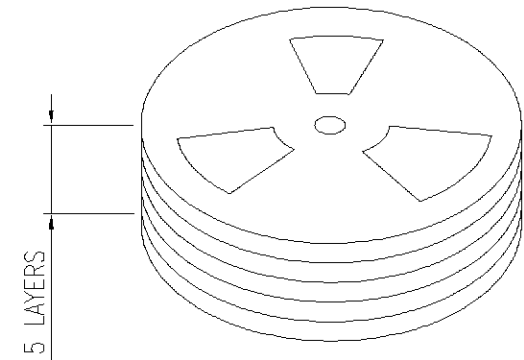
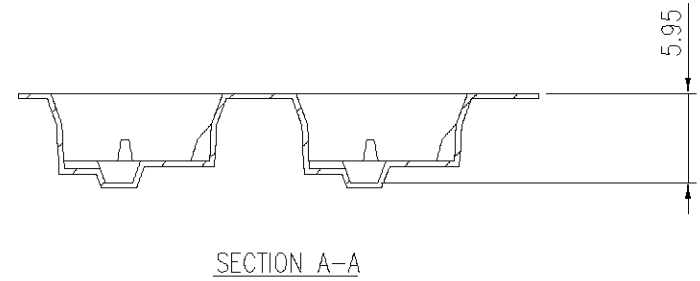
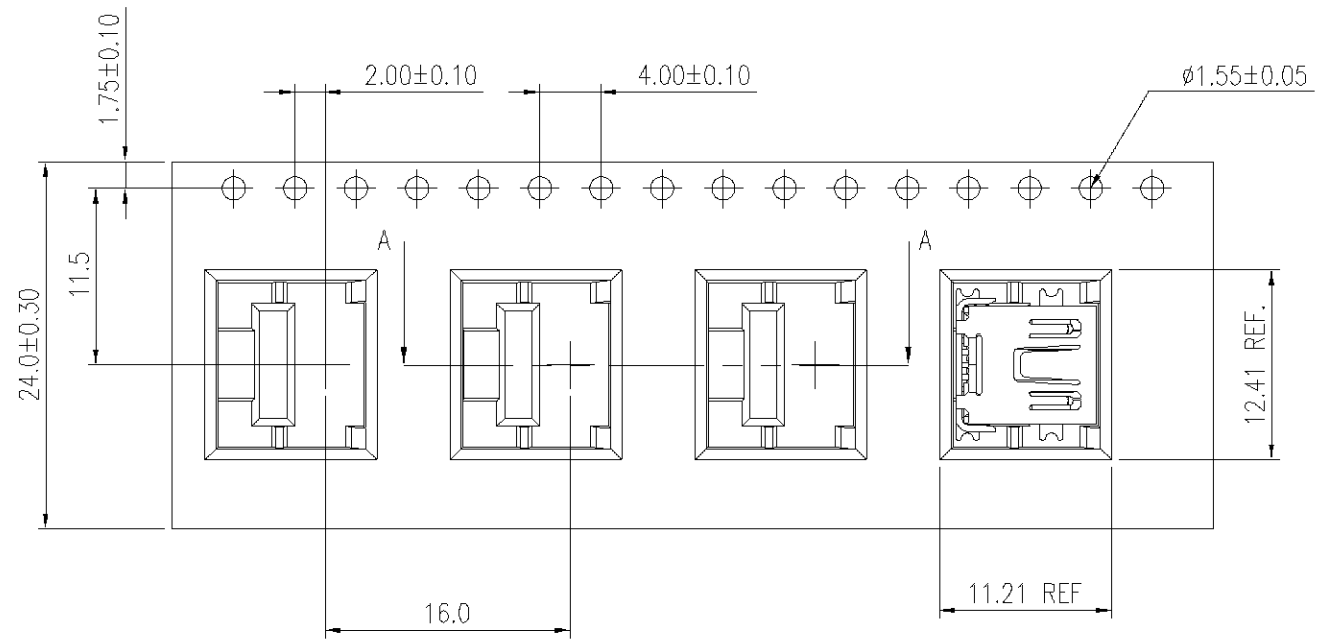
NUMBER
C-440479

3RD ANGLE PROJECTION

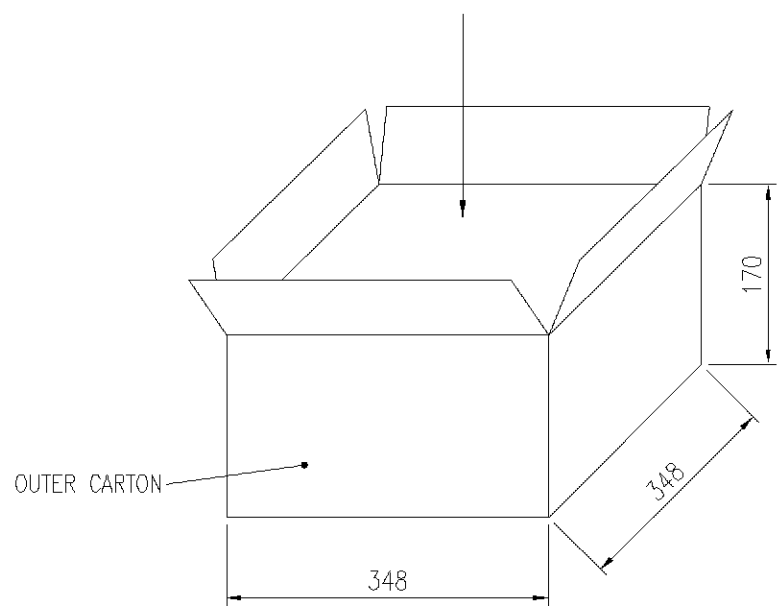
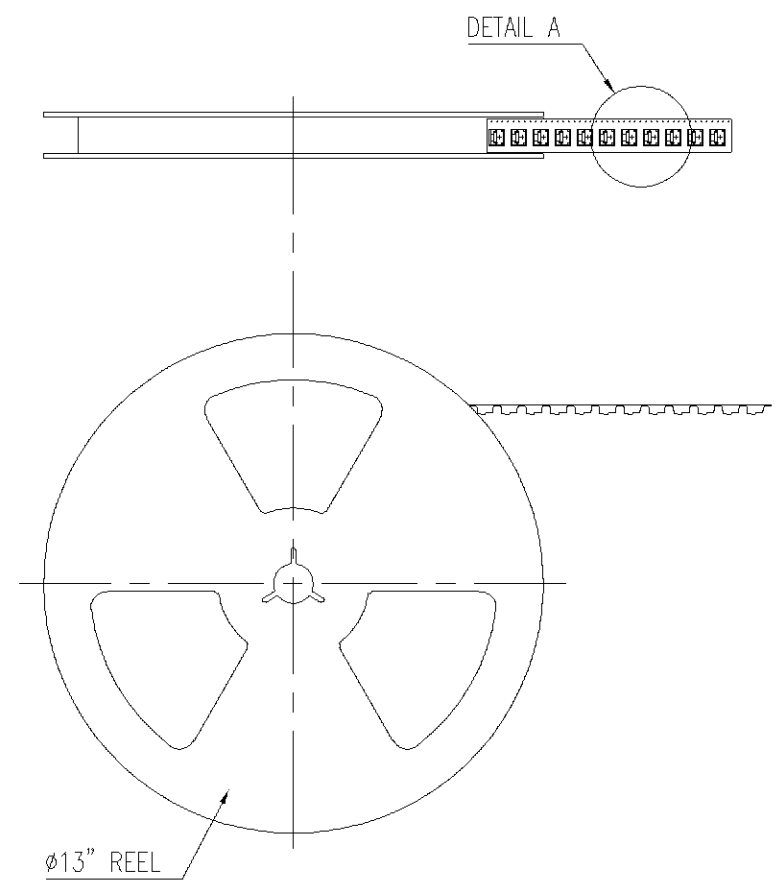
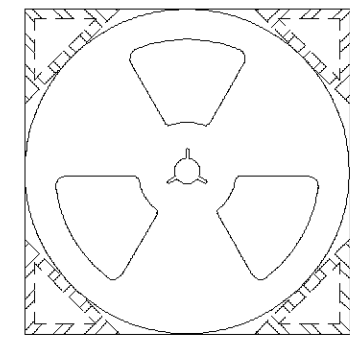
METRIC

THIS INFORMATION IS CONFIDENTIAL AND IS DISCLOSED TO YOU ON CONDITION THAT NO FURTHER DISCLOSURE IS MADE BY YOU TO OTHER THAN AMP PERSONNEL WITHOUT WRITTEN AUTHORIZATION FROM AMP (TAIWAN) LTD. DIMENSION IN MILLIMETERS. DO NOT SCALE PRINT.

PRINT DIST
DW



PACKING BOX



OUTER CARTON

- NOTES:
1. APPLICABLE P/N: 440479-2
 2. APPLICABLE DOCUMENT : EIA-481-2
 3. PACKAGE: 700 PCS/REEL , 5 REEL/BOX
W.G. : 6.5Kg , N.G. : 5.5Kg
 4. QUANTITY: 3500 PCS.

TOLERANCES UNLESS OTHERWISE SPECIFIED:		DWN	A. WU	tyco Electronics	TYCO HOLDINGS (BERMUDA) VII LTD. TAIWAN BRANCH
0 PLC	±	28-JAN-2003	CHK		
1 PLC	±		28-JAN-2003	NAME	
2 PLC	±	MATERIAL		MINI USB TYPE AB, RECEPTACLE,	
3 PLC	±	APVD		5 POS., RIGHT ANGLE, SMT	
ANGLES	±	PRODUCT SPEC		-	
		FINISH		-	
		APPLICATION SPEC		-	
		WEIGHT		-	
		LOC	SIZE	DRAWING NO	REV
		DW	A ₃	C-440479	D
		SCALE		SHEET	
		--		3 OF 3	

SEE SHEET 1.	ECN	DWN	CHK	DATE
LTR	REVISION RECORD			