

FAIRCHILD DIGITAL

CMOS

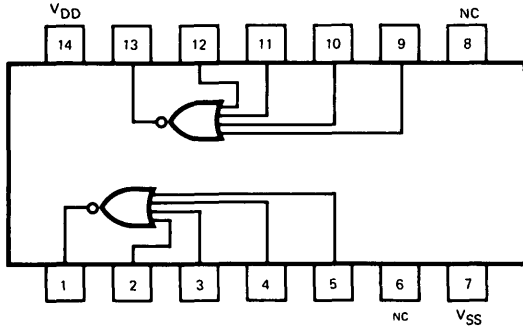
SSI FUNCTIONS (Cont'd)

Item	Function	DEVICE NO.	Logic/Connection Diagram	Package(s)
NOR Gates				
1	Quad 2-Input NOR	4001B	C5	31,6A,9A
2	Triple 3-Input NOR	4025B	C6	31,6A,9A
3	Dual 4-Input NOR	4002B	C7	31,6A,9A
4	8-Input NOR	4078B	C8	31,6A,9A
AND Gates				
5	Quad 2-Input AND	4081B	C9	31,6A,9A
6	Triple 3-Input AND	4073B	C87	31,6A,9A
7	Dual 4-Input AND	4082B	C88	31,6A,9A
OR Gates				
8	Quad 2-Input OR	4071B	C10	31,6A,9A
9	Dual 4-Input OR	4072B	C85	31,6A,9A
10	Triple 3-Input OR	4075B	C86	31,6A,9A
Inverters and Buffers				
11	Hex Inverter	4069UB	C11	31,6A,9A
12	Hex Inverting Buffer	4049B	C12	4L,6B,9B
13	Hex Non-Inverting Buffer	4050B	C13	4L,6B,9B
14	3-State Hex Inverting Buffer	40098B	C14	4L,6B,9B
15	3-State Hex Non-Inverting Buffer	40097B	C15	4L,6B,9B
16	Quad True/Complement Buffer	4041B	C81	31,6A,9A
Complex Gates				
17	Quad Exclusive OR	4030B	C16	31,6A,9A
18	Quad Exclusive OR	4070B	C16	31,6A,9A
19	Quad Exclusive NOR	4077B	C17	31,6A,9A
20	Dual 2-Wide, 2-Input AND-OR-Invert	4085B	C18	31,6A,9A
21	4-Wide, 2-Input AND-OR-Invert	4086B	C19	31,6A,9A
22	Dual Complementary Pair Plus Inverter	X 4007UB	C20	31,6A,9A
Schmitt Triggers				
23	Quad 2-Input NAND Schmitt Trigger	4093B	C82	31,6A,9A
24	Dual Schmitt Trigger	4583B	C83	4L,6B,9B
25	Hex Schmitt Trigger	40014B	C84	31,6A,9A

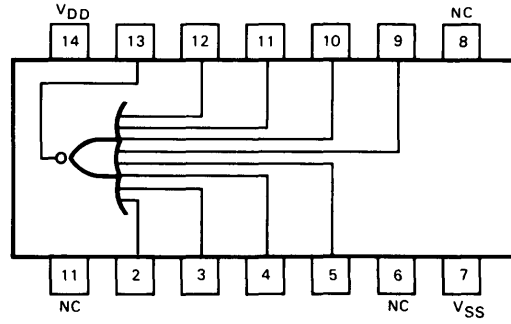
FAIRCHILD LOGIC/CONNECTION DIAGRAMS

DIGITAL-CMOS

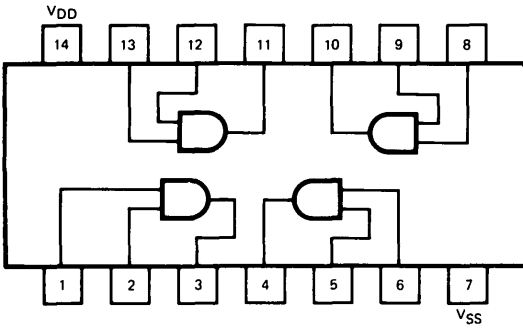
C7
4002B



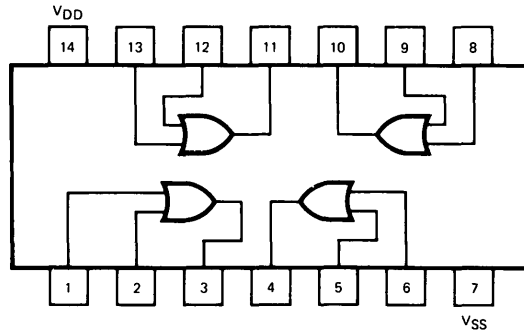
C8
4078B



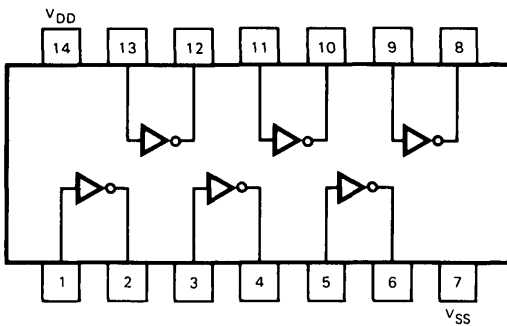
C9
4081B



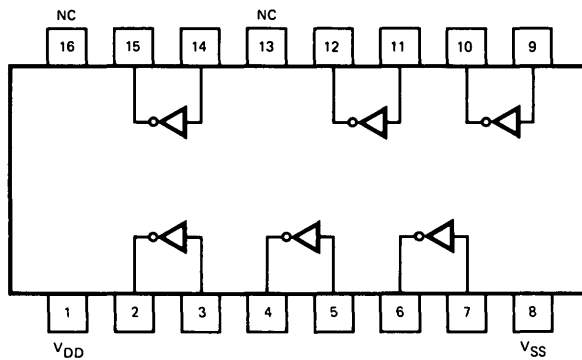
C10
4071B



C11
4069B, 40014B



C12
4049B



NOTE The Flatpak versions have the same pinouts (Connection Diagram) as the Dual In-Line Packages