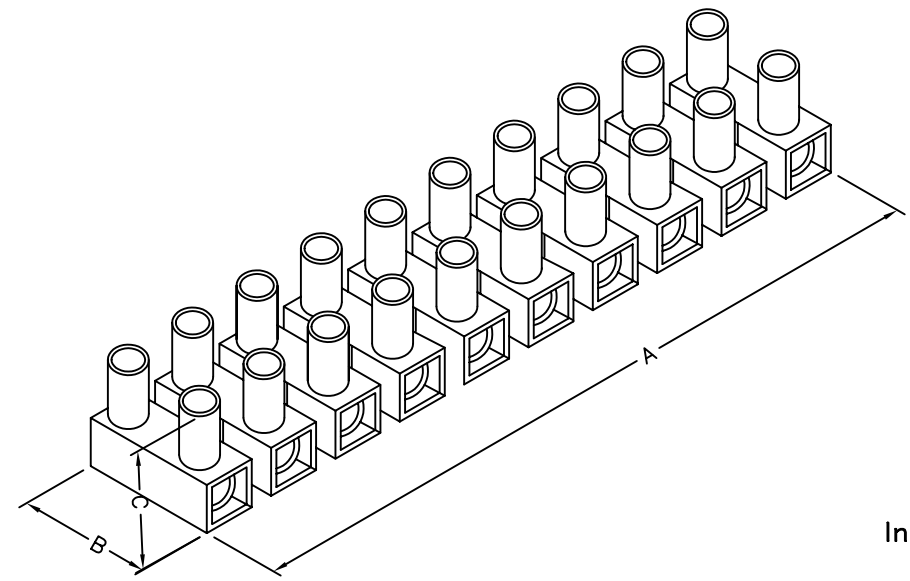


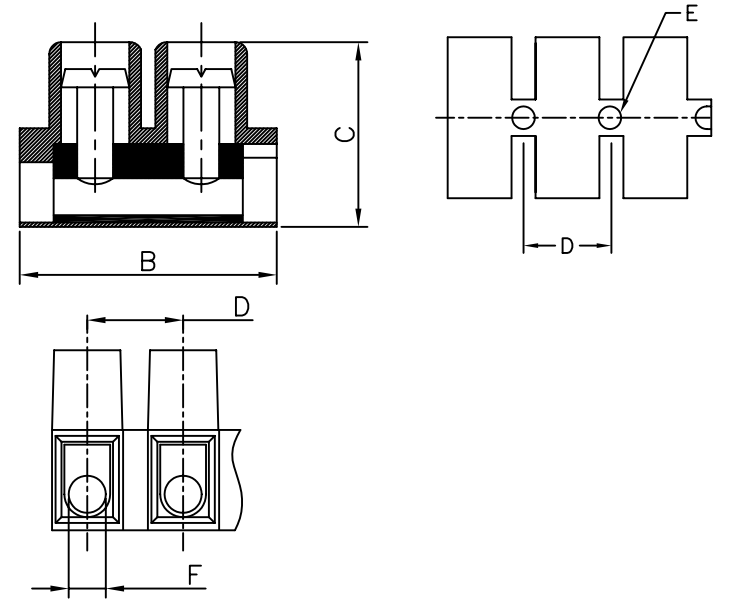
SPECIFICATIONS

Base: With Flat Base.
 Material: Polyamide 66 (Nylon 66), UL94V-2, Natural
 Working: 110°C
 Number of Poles: 12 Poles
 Terminal Insert: Brass Metal Alloy, Tin Plated
 Screws: Zinc Plated, Yellow Chromed.
 Stripping Length: 5.3mm
 Packing: 500 Pcs/Bag
 500 Pcs/Carton



International Approvals

| | | | | | | | | | | | |
|--------------------|-----------|------------|--------------------|--------------------|--------------------|--------------------|--------------------|--------------------|--------------------|--------------------|--------------------|
| Germany | U.S.A | Canada | Norway | Denmark | Sweden | Finland | Italy | Switzerland | Austria | Belgium | Holland |
| 450V | 600V/20A | 400V/10A | 400V | 400V | 450V | 400V | 400V | 400V | 400V | 400V | 400V |
| 1.5mm ² | 12-22AWG | 18-20AWG | 1.5mm ² | 1.5mm ² | 1.5mm ² | 1.5mm ² | 1.5mm ² | 1.5mm ² | 1.5mm ² | 1.5mm ² | 1.5mm ² |



Dimensions:

| mm ² | AMP | VOLT | Screw | Dimension(mm) | | | | | |
|-----------------|-------|-------|--------|---------------|-------|-------|------|------|---------|
| | | | | A | B | C | D | E | F |
| 1.5 | 17.5A | 450 V | M2.6*5 | 95.80 | 16.30 | 13.30 | 8.00 | 2.90 | 2.8±0.1 |

AUK A NUMBER OF AUK GROUP
太聯事業股份有限公司
 AUK CONTRACTORS CO., LTD.

DRAWING No.
 TB230-10

APPROVED BY MEI
 CHECKED BY RAN
 DRAWING BY HZF

UNLESS OTHERWISE SPECIFIED
 TOLERANCES ARE
 .X ±0.38
 .XX ±0.25
 .XXX

| | | | | | | | | | |
|-------|------|------|---|------|--|------|-----------|-----|------|
| SCALE | NONE | REV. | A | UNIT | | AREA | REVISIONS | CHK | DATE |
|-------|------|------|---|------|--|------|-----------|-----|------|