



RADIALL
Coaxial connectors

TECHNICAL DATA

R 203 665

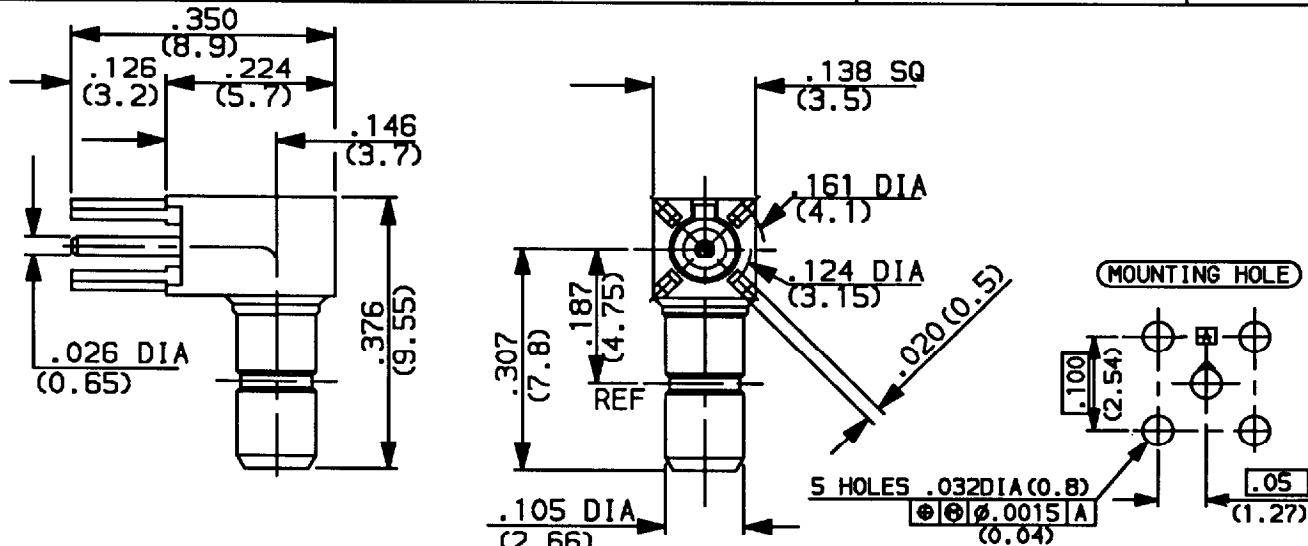
Issue : 9140

Page

PCB RIGHT ANGLE RECEPTACLE

SERIES: SSMB 1

1 / 1



CHARACTERISTICS

NOMINAL IMPEDANCE	50 Ω
FREQUENCY RANGE	0-4 GHz
TEMPERATURE RATING	-65/+165 °C
VSWR	NA Max
RF INSERTION LOSS	NA /F dB Maxi
VOLTAGE RATING	250 V _{rms} Maxi
DIELECTRIC WITHSTANDING VOLTAGE	500 V _{rms} mini
INSULATION RESISTANCE	1000 M Ω mini
HERMETIC SEAL	NA cc/s - Atm.cm ³ /s
LEAKAGE (pressurized only)	NA psi - MPa
-	-
-	-

STANDARDISATION

MIL STD 348A
CEI 169-19
CECC 22170

CABLE RETENTION

NA Lb mini
- N

CENTER CONTACT RETENTION

Axial force - mating end 2.0 Lb mini
8.9 N
Axial force - opposite end 2.0 Lb mini
8.9 N
Torque (Min) NA Inch.oz
- cm.N

RECOMMENDED TORQUES

Mating NA Inch. Lb
- cm.N
Panel nut NA Inch. Lb
- cm.N
Clamp nut NA Inch. Lb
- cm.N

CONSTRUCTION

CONNECTOR PARTS	MATERIALS	FINISH
BODY	BRASS	GOLD
OUTER CONTACT	BRASS	GOLD
CENTER CONTACT	BERYLLIUM COPPER	GOLD
INSULATORS	PTFE	-
-	-	-
-	-	-
-	-	-
-	-	-
-	-	-