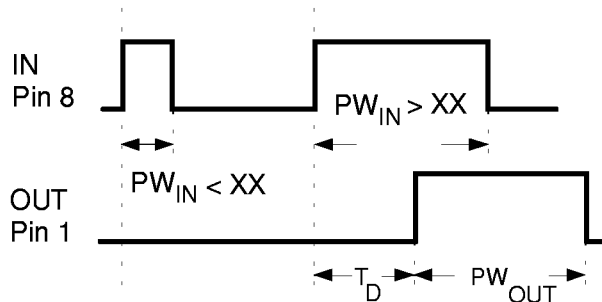


TTLPD Series FAST / TTL Pulse Width Discriminator Modules

- 14-Pin Package Commercial and Mil-Grade Versions
- FAST/TTL Logic Buffered
- Pass Pulse Widths above & suppress Pulses below Nominal Value
- Operating Temperature Ranges 0°C to +70°C, or -55°C to +125°C



General: Input pulse widths greater than the Nominal value (XX in ns from P/N TTLPD-XX) of the module, will propagate with delay of $(XX + 5ns) \pm 5\%$ or 2 ns, whichever is greater. Output pulse width will follow the input width $\pm 7\%$ or 4 ns, whichever is greater. Input pulse widths less than the Nominal value will be suppressed.

TEST CONDITIONS -- FAST / TTL

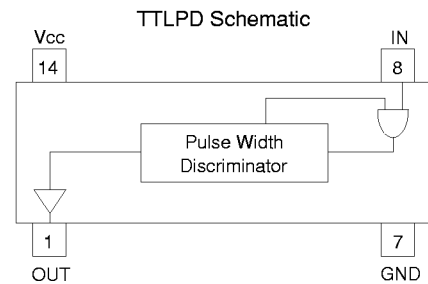
- V_{CC} Supply Voltage 5.00VDC
 Input Pulse Voltage 3.20V
 Input Pulse Rise Time 3.0 ns max.
1. Measurements made at 25°C
 2. Delay / Pulse Widths measured at 1.50V level
 3. Rise Times measured from 0.75V to 2.40V.
 4. 10pf probe and fixture load on output under test.

OPERATING SPECIFICATIONS

- V_{CC} Supply Voltage 5.00 ± 0.25 VDC
 I_{CC} Supply Current 42 mA typ., 60 mA Max.
 Logic "1" Input: V_{IH} 2.00 V min., 5.50 V max.
 I_{IH} 20 μ A max. @ 2.70V
 Logic "0" Input: V_{IL} 0.80 V max.
 I_{IL} -0.6 mA mA
 V_{OH} Logic "1" Voltage Out 2.40 V min.
 V_{OL} Logic "0" Voltage Out 0.50 V max.
 Operating Temperature Range 0° to 70°C
 Storage Temperature Range -65° to +150°C

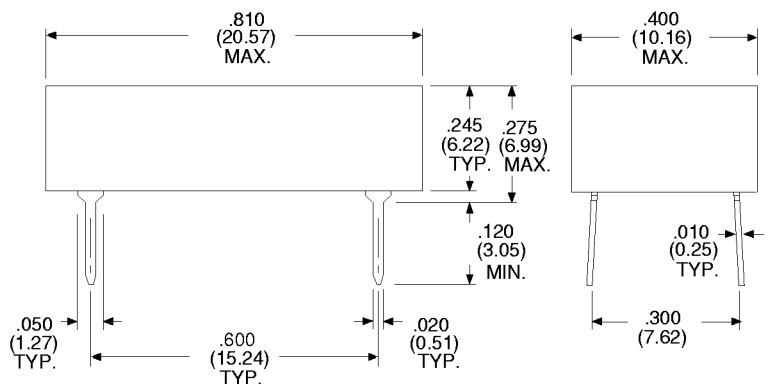
Electrical Specifications at 25°C

FAST / TTL Pulse Width Discriminator Modules			
Part Number	Mil-Grade Part Number	Suppressed Pulse Width, Max. (ns)	Passed Pulse Width, Min. (ns)
TTLPD-10	TTLPD-10M	< 8.5	> 11.5
TTLPD-15	TTLPD-15M	< 13.5	> 16.5
TTLPD-20	TTLPD-20M	< 18.5	> 21.5
TTLPD-25	TTLPD-25M	< 23.5	> 26.5
TTLPD-30	TTLPD-30M	< 28.5	> 31.5
TTLPD-35	TTLPD-35M	< 33.0	> 37.0
TTLPD-40	TTLPD-40M	< 38.0	> 42.0
TTLPD-50	TTLPD-50M	< 47.5	> 52.5
TTLPD-60	TTLPD-60M	< 57.0	> 63.0
TTLPD-75	TTLPD-75M	< 71.0	> 79.0
TTLPD-80	TTLPD-80M	< 76.0	> 84.0
TTLPD-100	TTLPD-100M	< 95.0	> 105.0
TTLPD-120	TTLPD-120M	< 114.0	> 126.0
TTLPD-125	TTLPD-125M	< 118.7	> 131.3
TTLPD-150	TTLPD-150M	< 142.5	> 157.5
TTLPD-200	TTLPD-200M	< 190.0	> 210.0



Dimensions in Inches (mm)

Commercial Grade 14-Pin Package with Unused Leads Removed per Schematic. (For Mil-Grade TTLPD-xxxM, Height is 0.335")



MIL-GRADE: These Military Grade devices use integrated circuits screened to MIL-STD-883B with an operating temperature range of -55 to +125°C. These devices have a package height of .335"

Specifications subject to change without notice.

For other values & Custom Designs, contact factory.

TTLPD 9901