

**PLEASE CHECK WWW.MOLEX.COM FOR LATEST PART INFORMATION**

**Part Number:** [0743204004](#)

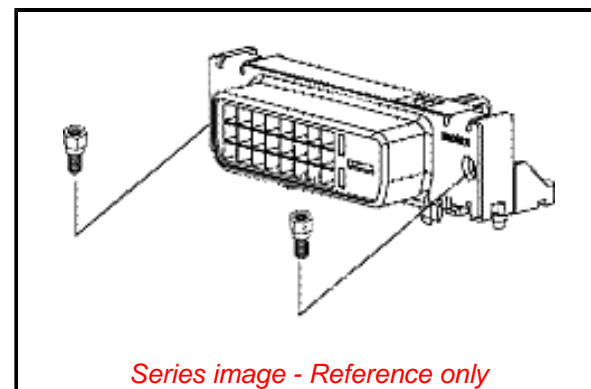
**Status:** **Active**

**Overview:** [MicroCross DVI Connectors and Cable Assemblies](#)

**Description:** MicroCross DVI-D Digital Visual Interface, PCB Receptacle, Polyester (PCT), Panel Mount, Through Hole, Right-Angle, Gold (Au) Flash, 2.34mm PC Tail Length, Lead-Free, Screw Hole, 4-40 Thread, 24 Circuits

**Documents:**

<a href="#">3D Model</a>	<a href="#">Product Specification TS-74320-001-001 (PDF)</a>
<a href="#">Drawing (PDF)</a>	<a href="#">Packaging Specification PK-74320-010-002 (PDF)</a>
<a href="#">3D Model (PDF)</a>	<a href="#">RoHS Certificate of Compliance (PDF)</a>



*Series image - Reference only*

**Agency Certification**

UL E29179

**General**

Product Family	I/O Connectors
Series	<a href="#">74320</a>
Application	Wire-to-Board
Comments	DDWG (Digital Display Working Group) Standard
Component Type	Receptacle
Electrical Model	Yes
Overview	<a href="#">MicroCross DVI Connectors and Cable Assemblies</a>
Product Name	MicroCross DVI
Type	N/A
UPC	800754009997

**Physical**

Boot Color	N/A
Circuits (Loaded)	24
Circuits (maximum)	24
Color - Resin	Natural
Durability (mating cycles max)	100
Flammability	94V-0
Gender	Receptacle
Keying to Mating Part	Yes
Lock to Mating Part	Yes
Material - Metal	Copper Alloy
Material - Plating Mating	Gold
Material - Plating Termination	Tin
Net Weight	6.611/g
Number of Rows	3
Orientation	Right Angle
PC Tail Length	2.34mm
PCB Locator	Yes
PCB Retention	Yes
Packaging Type	Tray
Panel Mount	Yes
Pitch - Mating Interface	1.90mm
Pitch - Termination Interface	1.90mm
Plating min - Mating	0.051µm
Plating min - Termination	2.540µm
Polarized to Mating Part	Yes
Polarized to PCB	Yes
Ports	1
Surface Mount Compatible (SMC)	No
Temperature Range - Operating	-20° to +85°C

**EU ELV**

**Not Relevant**

**EU RoHS**

**Compliant**

**REACH SVHC**

Not Contained Per -  
D(2021)4569-DC (8  
July 2021)

**Halogen-Free**

**Status**

**Low-Halogen**

For more information, please visit [Contact US](#)

China ROHS

ELV

RoHS Phthalates

**China RoHS**

Green Image

Not Relevant

Not Contained

**Search Parts in this Series**

[74320 Series](#)

**Mates With**

[88744](#) , [74323](#)

**Use With**

Mounting Hardware [717810001](#) , [820070300](#)  
, [887806066](#)

Termination Interface: Style	Through Hole
Waterproof / Dustproof	No
Wire Size AWG	N/A

**Electrical**

Current - Maximum per Contact	3.0A
Grounding to Panel	Yes
Shield Type	Full Shield
Shielded	Yes
Voltage - Maximum	40V AC (RMS)

**Solder Process Data**

Lead-free Process Capability	WAVE
------------------------------	------

**Material Info****Reference - Drawing Numbers**

Electrical Model Document	EE-74320-001-001
Packaging Specification	PK-74320-010-002
Product Specification	TS-74320-001-001
S-Parameter Model	SP-74320-001-001
Sales Drawing	SD-74320-003-000

This document was generated on 12/23/2021

**PLEASE CHECK [WWW.MOLEX.COM](http://WWW.MOLEX.COM) FOR LATEST PART INFORMATION**

# Mouser Electronics

Authorized Distributor

Click to View Pricing, Inventory, Delivery & Lifecycle Information:

[Molex:](#)

[74320-4004](#)