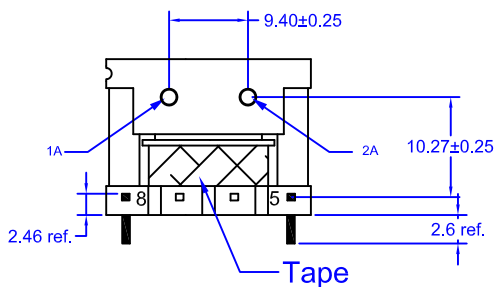
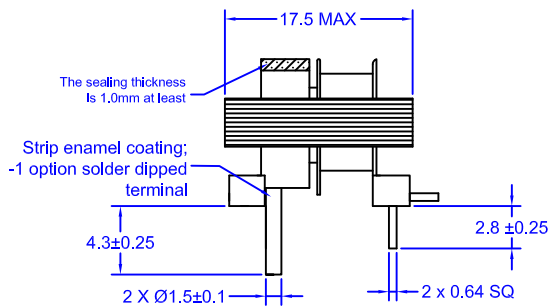
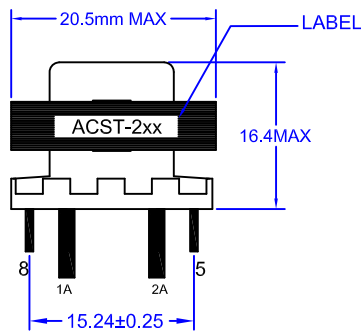


ACST-200 SERIES CURRENT SENSE TRANSFORMER 30A MAX. UP TO 200Hz

1. ELECTRICAL SPECIFICATIONS:

- A. TEST CONDITION: 100Hz 1V SER.
- B. CONSTRUCTED WITH UL CLASS B 130°C INSULATION SYSTEM
- C. HI-POT:P-S 3000V 1min.
 P--C&S--C 1500V 1min.
 OR (ON PRODUCTION)
 P-S 3600V 1SEC.
 P--C&S--C 1800V 1SEC.
- D. Material of Lamination(Core): Z1135
- E. The material AL=2500 nH±30%

2. MECHANICAL SPECIFICATIONS:

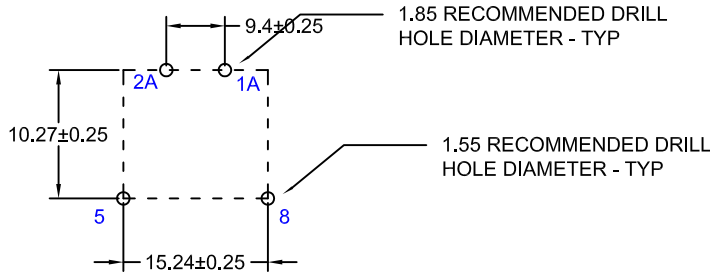


Bottom View

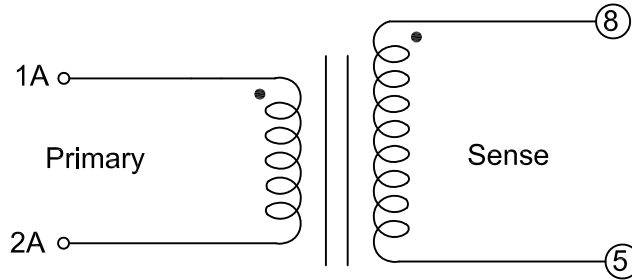
B5	Modified the high from 16.0max to 16.4max	ye	Sep.26,2008
B3	modify not for Pri. lead	ye	Apr 05,2007
B2	modify Pri. lead centers to 9.4mm and the length to 4.3mm	ye	Apr 04,2007
REV.	DESCRIPTION	DRAWN	DATE(M/D/Y)

TOLERANCE		SCALE NOT 1:1	UNIT mm	DATE (M/D/Y)	MODEL DESCRIPTION	
0? L ≤ 4 ±0.10 4? L ≤ 16 ±0.20 16? L ±0.30		DRAWN	ye	Feb 01,2007	ZETTLER	MATERIAL Class B 130°C
		CHECKED				MODEL: ACST-200 Series
THICKNESS	/	APPROVED			TITLE CURRENT SENSE TRANSFORMER	SHEET: 1 OF 2
REV.	B5					

3. PCB MOUNTING FOOTPRINT:



4. SCHEMATIC DIAGRAM:



• Indicate Polarity

5. ELECTRICAL TABLE:

Part Number	Turns Ratio	Current Range	Typical Output (mV/A)	Primary Resistance (u Ohms) max	Sense Resistance (Ohms)±10%	Sense Inductance (H)±30%	Primary Sense Frequency (Hz)
ACST-255	1:50	1-30A	32	800	0.198	0.008	50-200
ACST-256	1:100	1-30A	64	800	0.785	0.025	50-200
ACST-257	1:150	1-30A	90	800	1.7	0.06	50-200
ACST-258	1:200	1-30A	120	800	3.2	0.12	50-200
ACST-259	1:300	1-30A	140	800	7.4	0.27	50-200
ACST-260	1:500	1-30A	110	800	20	0.73	50-200
ACST-261	1:1000	1-30A	60	800	79	2.4	50-200
ACST-262	1:1500	1-30A	45	800	220	5.2	50-200

NOTE :

- Standard Pri. terminal (1A,2A) is stripped enamel coating; Add suffix -1 for tin coated Pri. terminal (1A,2A).
- Typical Output test condition is :10A@50Hz/60 Ohm load.
- Sense Inductance test condition is :100Hz / 1V.
- Tolerances of Dimensions are ±0.25mm.

B4	Changed the polarity point position	ye	Apr 05,2007
B1	Remove dash 1 P/N'	Winston	Feb 06,2007
REV.	DESCRIPTION	DRAWN	DATE(M/D/Y)

TOLERANCE	SCALE NOT 1:1	UNIT mm	DATE (M/D/Y)	MODEL DESCRIPTION		
0? L≤ 4 ±0.10 4? L≤ 16 ±0.20 16? L ±0.30	DRAWN	Winston	Feb 01,2007	ZETTLER	MATERIAL Class B 130°C	
	CHECKED				MODEL: ACST-200 Series	
	QC				TITLE CURRENT SENSE TRANSFORMER	
THICKNESS /	APPROVED				SHEET: 2 OF 2	
REV. B4						