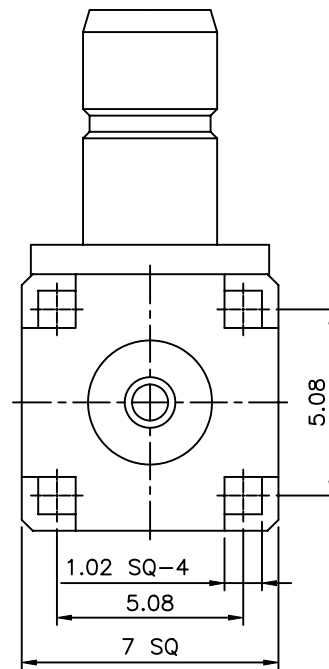
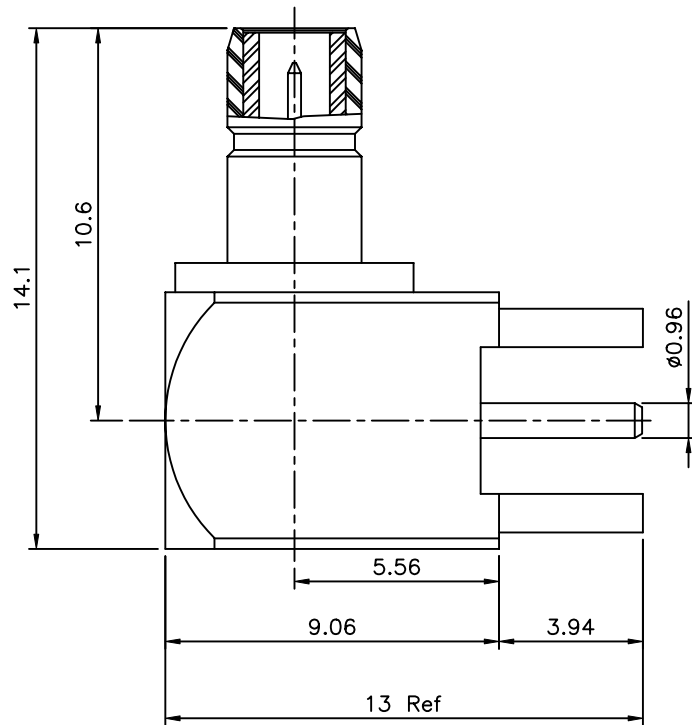
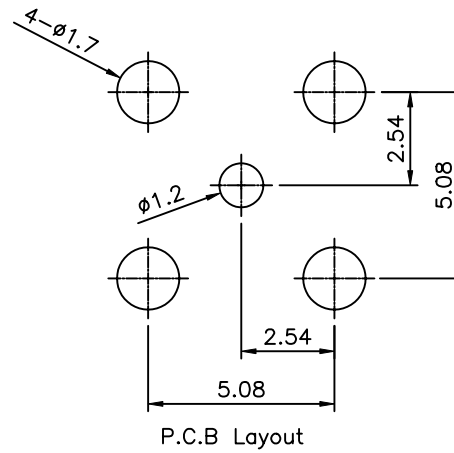


**SPECIFICATION**  
 Coaxial Contact Impedance:50 Ohms  
 RoHS Compliant



|             |                    |   |
|-------------|--------------------|---|
| Insulator   | Teflon MIL-P-19468 | White   |
| Insulator   | Teflon MIL-P-19468 | White   |
| Body        | Brass PER QQ-B-626 | 3u" Min Gold Over Nickel Plated Over Copper Strike  |
| Contact Pin | Brass PER QQ-B-626 | 30u" Min Gold Over Nickel Plated Over Copper Strike |
| Cube Body   | Brass PER QQ-B-626 | 3u" Min Gold Over Nickel Plated Over Copper Strike  |
| Description | Material           | Finish  |

**AUK** A MEMBER OF AUK GROUP  
**太聯事業股份有限公司**  
**AUK CONTRACTORS CO., LTD.**

|                           |             |     |
|---------------------------|-------------|-----|
| CATEGORY                  | APPROVED BY | MEI |
| PART No.<br>SMB-JR50-H    | CHECKED BY  | HZF |
| DRAWING No.<br>SMB-JR50-H | DRAWING BY  | HYY |
| SCALE                     | REV.        | BO  |

UNLESS OTHERWISE SPECIFIED TOLERANCES ARE  
 0.5~6 ±0.2  
 6~30 ±0.4  
 ANG. ±5°

|     |      |    |             |     |            |
|-----|------|----|-------------|-----|------------|
| NO. | REV. | BO | NEW RELEASE | HZF | 12/10/2008 |
|     |      |    | REVISIONS   | CHK | DATE       |