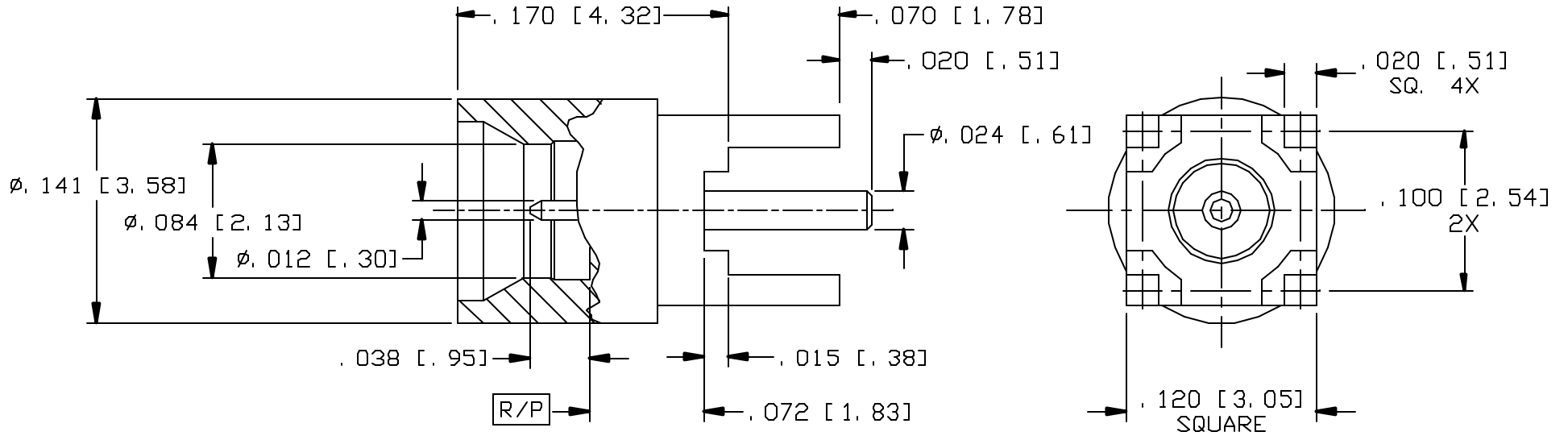


CAD DRAWING - NO MANUAL REVISIONS



NOTES:

1. DESIGN AND INTERFACE PER I. D. S. -132.
2. PC BOARD LAYOUT PER DS-16E, FIGURE 5.

				<p>PALCO CONNECTOR</p> <p>22 GREAT HILL RD., NAUGATUCK, CT 06770</p> <p>UNLESS OTHERWISE SPECIFIED, PALCO WORKMANSHIP STANDARDS APPLY</p> <p>TOLERANCES ON DECIMALS: XX ± .01 .XXX ± .005 ANGLES ±1/2° 32</p> <p>DIMENSIONS IN INCHES OR (METRIC) DO NOT SCALE PRINTS</p>	<p>DRAWN ALS</p>	<p>CHECKED JEM</p>	<p>ENGINEER ALS</p>	<p>APPROVED JEM</p>	<p>FSCM 58167</p>
						<p>DESCRIPTION SMPM, PLUG, FULL DETENT, PC MOUNT</p>			
A	PER ECN 9701	12/11/08	JEM		<p>DATE 05/18/07</p>	<p>DRAWING NO. 132-0452-01</p>	<p>PLATING OPT. A</p>		
REV.	DESCRIPTION	DATE	APPR.	CATALOG ITEM					

THE INFORMATION IN THIS DOCUMENT IS CONFIDENTIAL AND PROPRIETARY AND MAY NOT BE USED FOR ANY PURPOSE WITHOUT THE WRITTEN CONSENT OF PALCO.