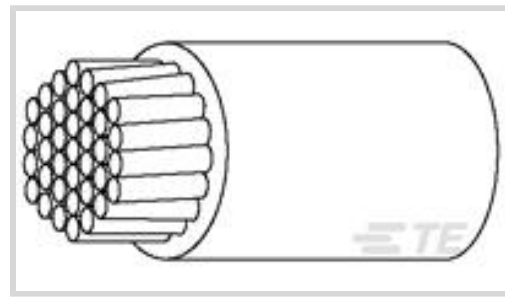




Wire & Cable > Power Cable



Power Cable Type: **Power**

Power Cable Voltage Rating: **600 VAC**

Jacket Material: **FDR25**

Power Cable Jacket Color: **Black**

Operating Temperature Range: **-55 – 130 °C**

Features

Product Type Features

Power Cable Type	Power
Wall Type	Single
Product Type	Cable
Product Classification	Cable - Power

Configuration Features

Number of Power Cable Conductors	1
Number of Strands	19

Electrical Characteristics

Power Cable Voltage Rating	600 VAC
----------------------------	---------

Body Features

Jacket Material	FDR25
Power Cable Jacket Color	Black
Power Cable Conductor Material	Tin-Coated Copper

Dimensions

Power Cable Wire Diameter	7.4 mm[.291 in]
Power Cable Conductor Diameter	5.5 mm[.217 in]
Wire Size	16 mm ²
Overall Outside Diameter	7.4 mm[.291 in]



Usage Conditions

Operating Temperature Range	-55 – 130 °C
-----------------------------	--------------

Product Compliance

[For compliance documentation, visit the product page on TE.com>](#)

EU RoHS Directive 2011/65/EU	Compliant
EU ELV Directive 2000/53/EC	Compliant
China RoHS 2 Directive MIIT Order No 32, 2016	No Restricted Materials Above Threshold
EU REACH Regulation (EC) No. 1907/2006	Current ECHA Candidate List: JUL 2021 (219) Candidate List Declared Against: JUL 2021 (219) Does not contain REACH SVHC
Halogen Content	Out of Scope - excluded from Halogen requirements
Solder Process Capability	Not applicable for solder process capability

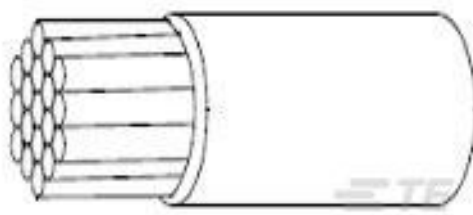
Product Compliance Disclaimer

This information is provided based on reasonable inquiry of our suppliers and represents our current actual knowledge based on the information they provided. This information is subject to change. The part numbers that TE has identified as EU RoHS compliant have a maximum concentration of 0.1% by weight in homogenous materials for lead, hexavalent chromium, mercury, PBB, PBDE, DBP, BBP, DEHP, DIBP, and 0.01% for cadmium, or qualify for an exemption to these limits as defined in the Annexes of Directive 2011/65/EU (RoHS2). Finished electrical and electronic equipment products will be CE marked as required by Directive 2011/65/EU. Components may not be CE marked. Additionally, the part numbers that TE has identified as EU ELV compliant have a maximum concentration of 0.1% by weight in homogenous materials for lead, hexavalent chromium, and mercury, and 0.01% for cadmium, or qualify for an exemption to these limits as defined in the Annexes of Directive 2000/53/EC (ELV). Regarding the REACH Regulation, the information TE provides on SVHC in articles for this part number is based on the latest European Chemicals Agency (ECHA) 'Guidance on requirements for substances in articles' posted at this URL: <https://echa.europa.eu/guidance-documents/guidance-on-reach>

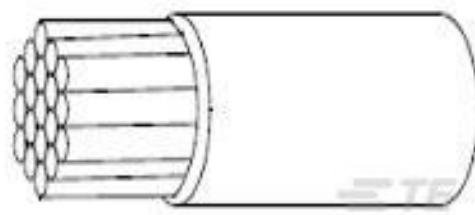
Customers Also Bought



TE Part #321866
BODY SOLIS RING 1/0 1/4



TE Part #216112-002
22759/32-22-9



TE Part #216115-001
22759/32-16-9



TE Part #448445-5
MINI-BOX 4 RW RECP ASSY 300P



Documents

Product Drawings

[FDI06-16.0-0](#)

English

Datasheets & Catalog Pages

[Wire and Cable Overview](#)

English