

Ordering Information :

8111  $\frac{**}{1}$   $\frac{*}{2}$   $\frac{000}{3}$

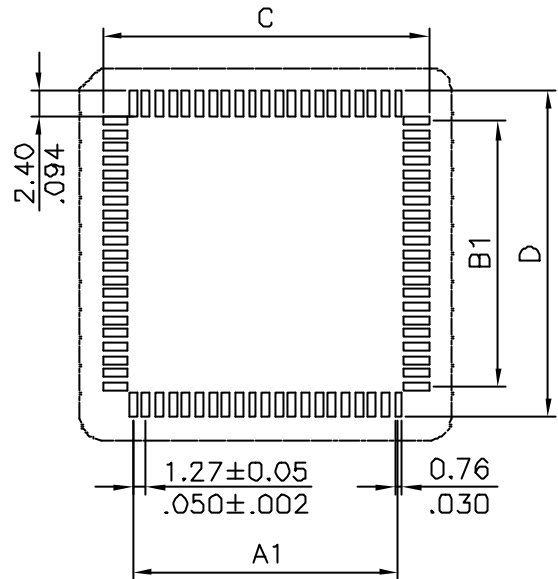
\* \* \* 8111 Series \* \* \*

Material:

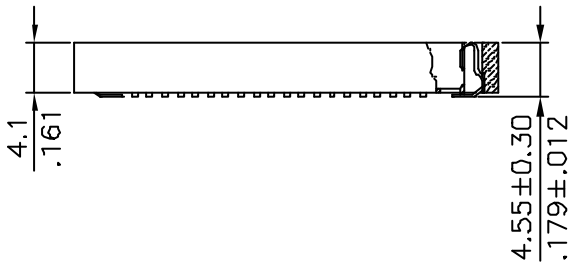
Insulator: UL94V-0 PPS

Contact: Phosphor Bronze

1. No. of circuits
2. Contact plating:  
T=Tin plated 120?" min. over 30~50?" nickel overall  
U=Gold flash over 30~50?" nickel overall
3. Special options  
000 = Black color(Standard)



Recommended Hole Pattern



Circuits	Dim.A	Dim.B	Dim.A1	Dim.B1	Dim.C	Dim.D
20	14.52(.572)	14.52(.572)	5.080(.200)	5.080(.200)	10.33(.407)	10.33(.407)
28	17.06(.672)	17.06(.672)	7.620(.300)	7.620(.300)	12.87(.507)	12.87(.507)
32	17.06(.672)	19.60(.772)	7.620(.300)	10.160(.400)	12.87(.507)	15.41(.607)
44	22.14(.871)	22.14(.871)	12.700(.500)	12.700(.500)	17.95(.707)	17.95(.707)
52	25.40(1.000)	25.40(1.000)	15.240(.600)	15.240(.600)	20.49(.807)	20.49(.807)
68	30.48(1.200)	30.48(1.200)	20.320(.800)	20.320(.800)	25.57(1.007)	25.57(1.007)
84	35.56(1.400)	35.56(1.400)	25.400(1.000)	25.400(1.000)	30.65(1.207)	30.65(1.207)

LECO CORPORATION				APPROVED BY:		PART NO.:			
				CHECKED BY:		8111-***000			
GENERAL TOLERANCE X. ±            X' ± z' .X ± $\frac{0.30}{.012}$ .X' ± .XX ± $\frac{0.20}{.008}$ .XX' ± .XXX ± $\frac{0.10}{.004}$ .XXX ±				DRAW BY:		TITLE:			
				DRAWING NO.:		Chip Carrier			
B	E970191					DRAWING NO.:			
A	DWG REL.					811102S			
REV.	ECO. NO.	CHG	APPD.	UNITS MM Inch		SCALE	SIZE	SHEET	REV.
						1.6:1	A4	1/1	B