



# YH1420/1421 Series OCXO

10MHz – 100MHz

(Rev A)

GREENRAY INDUSTRIES, INC.

PRECISION QUARTZ TECHNOLOGY

Miniature Package  
Low Phase Noise

## SPECIFICATIONS

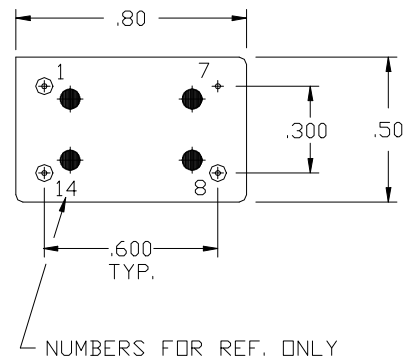
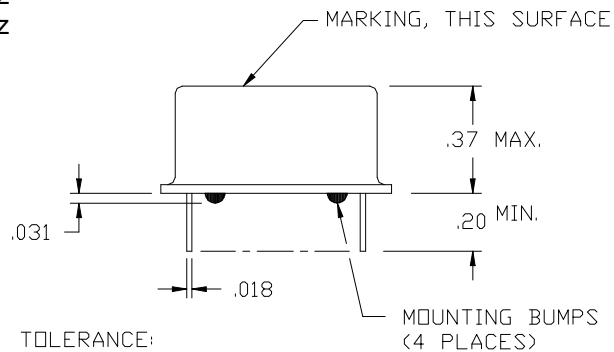
<b>Frequency</b>	10.0 MHz to 100.0 MHz		
<b>Output</b>	YH1420 - Squarewave, ACMOS YH1421 - Sinewave, 0dBm min into 50ohms		
<b>Harmonics</b>	-20 dBc (Sinewave version)		
<b>Symmetry</b>	50% ± 10% (Squarewave version)		
<b>Temp Stability</b>	<b>Temp Range</b>	<b>Tolerance</b>	<b>Option</b>
	-10 to +60°C	±1x10 <sup>-7</sup>	G17
	-20 to +70°C	±2x10 <sup>-7</sup>	N27
	-40 to +85°C	±3x10 <sup>-7</sup>	T37
<b>Freq vs. Supply</b>	±3x10 <sup>-9</sup> for a 5% change		
<b>Aging</b>	±2x10 <sup>-9</sup> per day after 30 days (10 MHz typ)		
<b>Input Voltage</b>	available in +5 or +3.3 VDC		
<b>Input Power</b>	Warmup - <3W for 5 minutes Idle – <1.0W @ +25°C		
<b>Phase Noise</b>	10 Hz	-110 dBc/Hz	
(typ @ 10 MHz)	100 Hz	-135 dBc/Hz	
	1 kHz	-155 dBc/Hz	
	10 kHz	-158 dBc/Hz	
	100 kHz	-158 dBc/Hz	
<b>Frequency Adjust</b>	±5.0 ppm typ, positive slope 0 to Vsupply EFC		

Ordering Example:

YH1420-N27-5  
(Model-Stability-Input V)

### Pin Connections

- 1 - EFC
- 7 - 0V/Gnd
- 8 - Output
- 14 - Supply V



To inquire about available custom parameters, please contact us at [sales@greenrayindustries.com](mailto:sales@greenrayindustries.com).

840 West Church Rd., Mechanicsburg, PA 17055

Tel: 717-766-0223 Fax: 717-790-9509

[www.greenrayindustries.com](http://www.greenrayindustries.com) email: [sales@greenrayindustries.com](mailto:sales@greenrayindustries.com)