

Surface Mount Tip/Ring Filter

ATRF SERIES

ATRF- 01, 02, 03,04

FEATURES:

- Current up to 500mA
- Extended Frequency Range
- For Noise Reduction

OPTIONS:

- T & R is Standard
- Custom Design Available

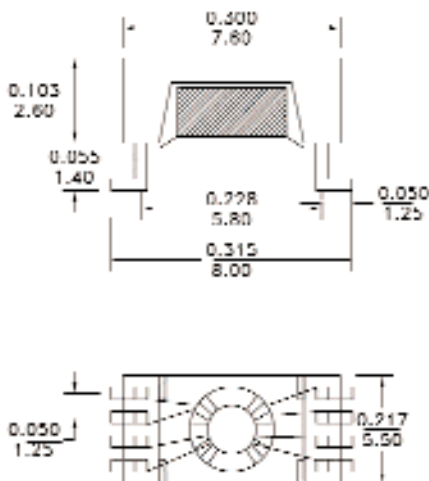
COMMON APPLICATIONS:

- Telecommunication
- Digital Communication
- CMC for Signal Line

STANDARD SPECIFICATIONS

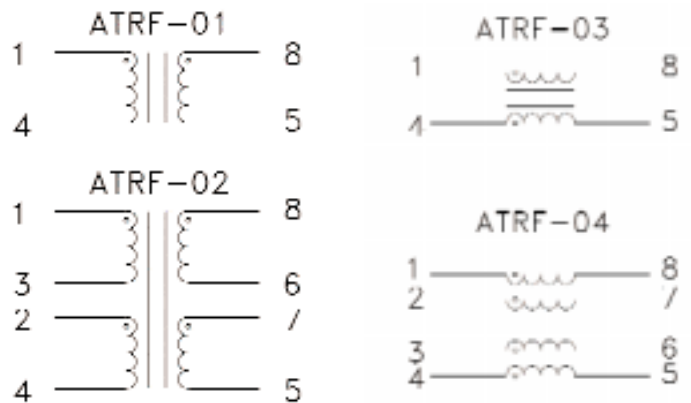
Part Number	L (μH) (Min)	Part Number	L (μH) (Min)
ATRF-01		ATRF-03	
ATRF-01-10	10	ATRF-03-10	10
ATRF-01-20	20	ATRF-03-20	20
ATRF-01-30	30	ATRF-03-30	30
ATRF-01-40	40	ATRF-03-40	40
ATRF-01-50	50	ATRF-03-50	50
ATRF-02		ATRF-04	
ATRF-02-10	10	ATRF-04-10	10
ATRF-02-20	20	ATRF-04-20	20
ATRF-02-30	30	ATRF-04-30	30
ATRF-02-40	40	ATRF-04-40	40
ATRF-02-50	50	ATRF-04-50	50

PHYSICAL DIMENSIONS

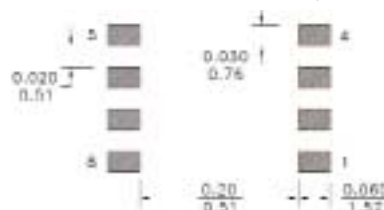


Dimensions: Inches/(mm)

SCHEMATIC



Recommended Pad Layout



TECHNICAL INFORMATION:

- Soldering methods: Wave, Reflow
 - Operating Temperature: 0°C to 70°C
 - Storage Temperature: -55°C to 125°C
- Note: All specifications subject to change without notice.