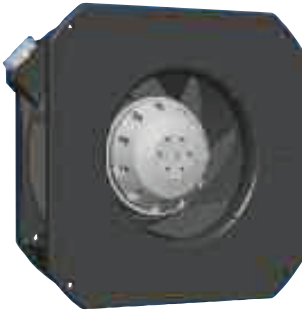


K2E190 Series Centrifugal Module

ø190mm Backward Curved



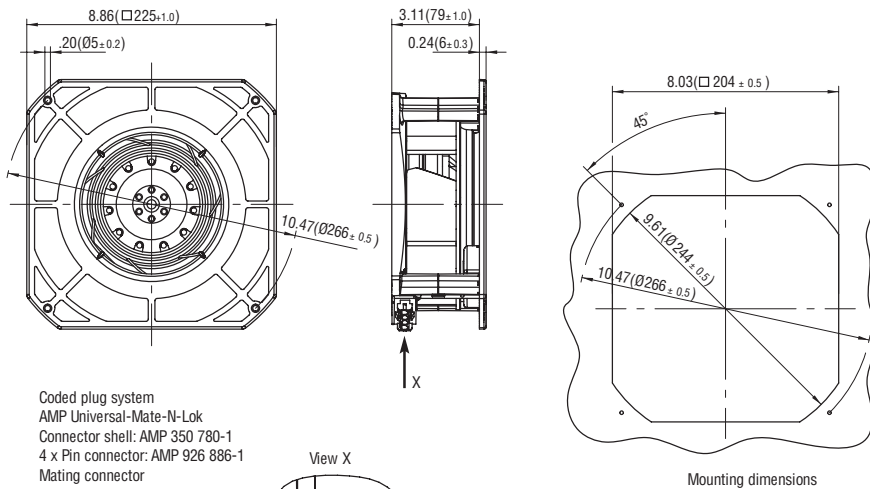
- Material: Housing of PA plastic 6; Impeller of PA plastic 6.6; Rotor coated in black
- Number of blades:7
- Maintenance-free ball bearings.

- Insulation class "B". Cable exit: variable. Direction of rotation is CW as seen from intake side.
- UL, CSA, VDE approvals on most models, please contact application engineering.

Part Number	Curve	CFM @ 0	VAC	Hertz	Power (W)	dBA	Max Amb. Temp. C	Bearing Type	Features	Capacitor (µF)	Wgt. (lbs)
K2E190-AO52-02 ⁽¹⁾	Ⓐ	323.7	115	50	50	68	60	Ball	Leads	6.0/250	3.50
	Ⓑ	347.3	115	60	62	69	60	Ball	Leads	6.0/250	3.50
K2E190-AO26-01 ⁽²⁾	Ⓒ	329.6	230	50	57	68	50	Ball	Leads	2.0/400	3.50
	Ⓓ	359.0	230	60	74	70	55	Ball	Leads	2.0/400	3.50

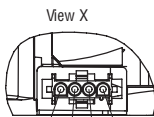
⁽¹⁾ external capacitor required ⁽²⁾ capacitor included

	n [rpm]	P ₁ [W]	I [A]	Lw _A [dB(A)]
Ⓐ ①	2400	50	0.45	68
Ⓐ ②	2320	52	0.46	64
Ⓐ ③	2270	54	0.47	62
Ⓐ ④	2415	49	0.43	66
Ⓑ ①	2600	62	0.55	69
Ⓑ ②	2440	65	0.57	65
Ⓑ ③	2360	66	0.57	62
Ⓑ ④	2610	61	0.53	67
Ⓒ ①	2500	57	0.26	68
Ⓒ ②	2415	59	0.26	67
Ⓒ ③	2375	60	0.26	62
Ⓒ ④	2515	57	0.25	67
Ⓓ ①	2700	74	0.33	70
Ⓓ ②	2565	77	0.34	69
Ⓓ ③	2505	78	0.35	64
Ⓓ ④	2720	74	0.33	69



Coded plug system
AMP Universal-Mate-N-Lok
Connector shell: AMP 350 780-1
4 x Pin connector: AMP 926 886-1
Mating connector
(not part of delivery):
Connector shell: AMP 350 779-4
4 x female terminal: AMP 926 884-1

115V:
1 = Protective earth
2 = N
3 = L + capacitor
4 = Capacitor



230V:
1 = Protective earth
2 = N
3 = L
4 = Not assigned (capacitor)

Curve

