

# ADSL-Transformer WSL-A32.306

## Specifications



**Application**  
Generic

### Features

Optimized magnetic shielding for low interference  
High performance, high quality design  
SMT and THT package available

### Packaging

100 pcs./tray  
7 trays/carton

### Solderability

270 - 300°C


### Isolation voltage

1500 VAC

### Operation Temperature Range

-40°C to +85°C

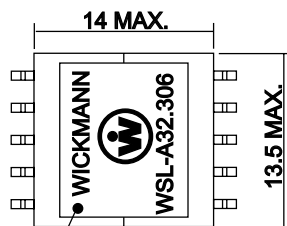
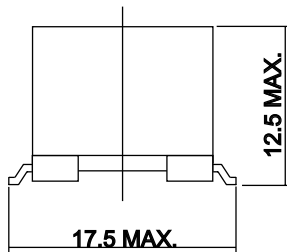
### Marking

 article-no.

### Unit Weight

6g

## Schematics & Mechanicals (mm)



BLACK DOT IS PIN NO.1

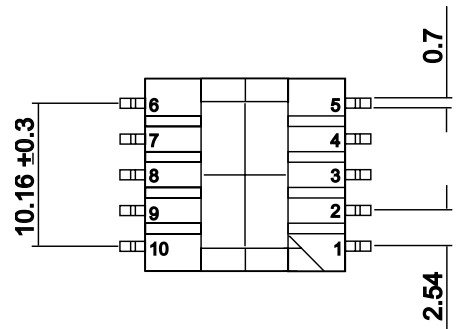
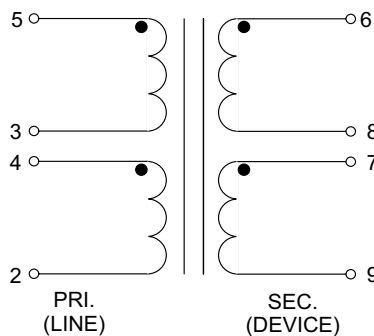
## WebLinks

### Data Sheet

[www.wickmann.com/products/WSL\\_A32306.pdf](http://www.wickmann.com/products/WSL_A32306.pdf)

### Packaging

[www.wickmann.com/pack](http://www.wickmann.com/pack)



DC Resistance:	3,0 Ω (5-2) max. ±10%, short (4-3) 3,0 Ω (6-9) max. ±10%, short (8-7)
Open Circuit Inductance:	5,0mH ±10% @ 10kHz, 100mVAC on series, (5-2), short (4+3) 5,0mH ±10% @ 10kHz, 100mVAC on series, (6-9), short (8+7)
Turns Ratio:	1:1 ±1% (5-2):(6-9)
Leakage Inductance:	18,0μH max. @ 100kHz, 100mVAC (5-2), short (4+3, 8+7, 6+9)
Longitudinal Balance:	-
Interwinding Capacity:	-
Reflects 100Ω @ R <sub>L</sub> =	-
Insertion Loss:	0,5dB @ 100kHz, 1,0VAC
Total Harmonic Distortion (THD):	-60dB mwx. @ 30kHz, 5,0VAC

## Order Information

Qty.	Order Number
	960 4 632306 9