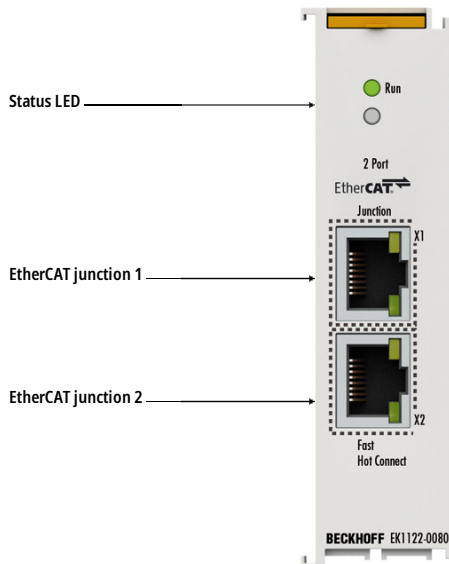
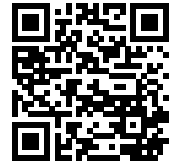


EK1122-0080 | 2-port EtherCAT junction, Fast Hot Connect



i Product status: Regular delivery

The EK1122-0080 2-port EtherCAT junction can be used in an EtherCAT Terminal segment at any desired position between the EtherCAT Terminals and enables configuration of EtherCAT star topologies. A modular EtherCAT star hub can be realized by using several EK1122-0080 units in a station.

Special features:

- Connection technology: 2 x RJ45 sockets
- Connection lengths: up to 100 m
- Can be used for configuring an EtherCAT star topology
- Fast Hot Connect technology for changing topologies

The EK1122-0080 supports Fast Hot Connect technology, which facilitates significantly shorter connection times for EtherCAT components with changing topologies. Compared to Hot Connect, which is an EtherCAT feature and enables direct coupling and uncoupling of components during system operation, Fast Hot Connect offers even faster data transfer and allows even faster tool changes.

The EK1122-0080 has two Fast Hot Connect ports, which are implemented as RJ45 sockets. The Fast Hot Connect ports are specially marked, since they may only be combined with each other. The EK1122-0080 EtherCAT junction with Fast Hot Connect is complemented by the EK1101-0080 EtherCAT coupler with Fast Hot Connect.

Product information

Technical Data

Technical data

EK1122-0080

Task within EtherCAT system	coupling of EtherCAT junctions
Data transfer medium	Ethernet/EtherCAT cable (min. Cat.5), shielded
Distance between stations	100 m (100BASE-TX)
Protocol	EtherCAT
Delay	approx. 1 μ s
Data transfer rates	100 Mbit/s
Configuration	not required
Bus interface	2 x RJ45
Power supply	from E-bus
Current consumption	typ. 220 mA
Weight	approx. 65 g
Operating/storage temperature	-25...+60 °C/-40...+85 °C
EMC immunity/emission	conforms to EN 61000-6-2/EN 61000-6-4
Relative humidity	95 %, no condensation
Vibration/shock resistance	conforms to EN 60068-2-6/EN 60068-2-27
Protect. rating/installation pos.	IP20/variable
Approvals/markings	CE, UL, ATEX
Ex marking	II 3 G Ex nA IIC T4 Gc

Housing data	EL-24
Design form	compact terminal housing with signal LEDs
Material	polycarbonate
Dimensions (W x H x D)	24 mm x 100 mm x 52 mm
Installation	on 35 mm DIN rail, conforming to EN 60715 with lock
Side by side mounting by means of	double slot and key connection
Marking	-
Wiring	specific push-in connection