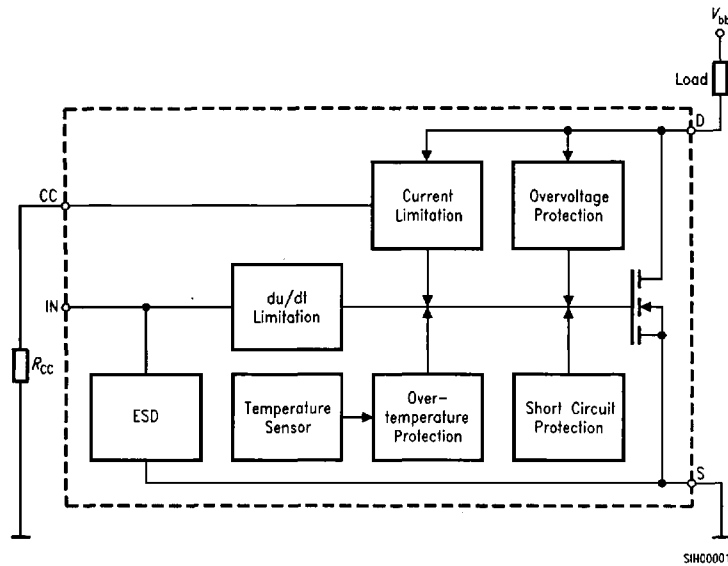


Smart SIPMOS®
HITFET® (High Integrated TEMPFET)

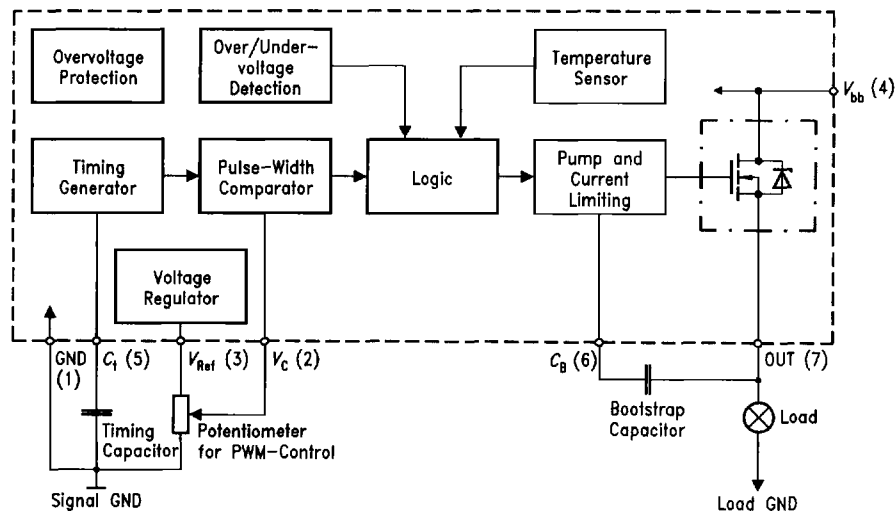
Smart SIPMOS®
HITFET® (High Integrated TEMPFET)



Typ Type	V _{bb} (AZ) V	R _{on} (typ) mΩ	I _{L-ISO} ¹⁾ A	I _{L, Lim} (typ) ⁵⁾ A	Bestellnummer Ordering code	Gehäuse ³⁾ Package ³⁾	Bild Figure
▼ BTS 925	>50	75	5.0	adjustable	On request	TO-220 AB/5	12b
▼ BTS 250	>50	10	25	60	On request	TO-218 AA	5a

Dimmer

Dimmers



Typ Type	V _{bb} (AZ) ⁴⁾ V	R _{on} (max) mΩ	I _{L-ISO} ¹⁾ A	I _{L-MOS} (max) ²⁾ A	I _{L, Lim} (typ) ⁵⁾ A	Bestellnummer Ordering code	Gehäuse Package ³⁾	Bild Figure
BTS 629⁶⁾	>50	180	2	(14)	12	C67078-S5501-A2	TO-220 AB/7	14b
BTS 629 A⁶⁾	>50	180	2	(14)	12	C67078-S5501-A5	TO-220 AB/7	14b
▼ BTS 630	>40	95	3.8	15.9	20	On request	TO-220 AB/7	14b