

MTS 1-PHASE CONTROL AND ISOLATION TRANSFORMER

P: 63VA IN: 230/400VAC OUT: 230VAC

Single-phase - Control and Isolation Transformers

63 VA

Spring clamp terminals

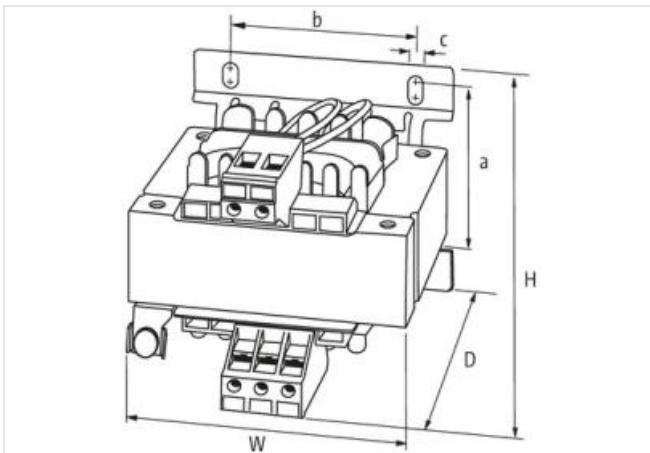
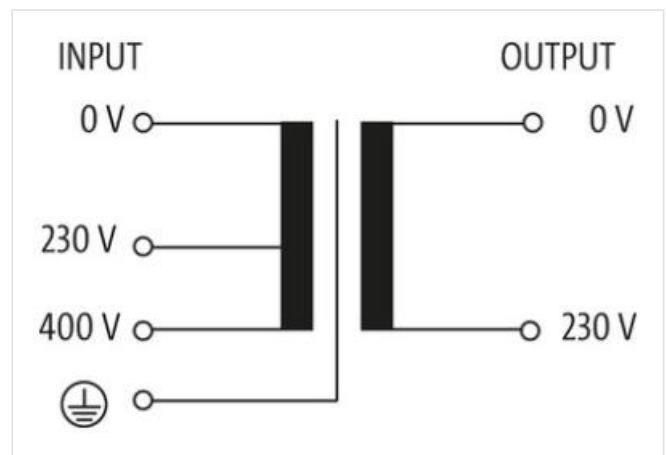
Isolation class T 40/B

Protection IP20

Other voltages on request.

[Link to Product](#)

Illustration



Product may differ from Image



General data

Standards	EN 61558-1, EN 61558-2-4, EN 62041 category 0
Mounting method	Long-hole mounting or DIN-rail mountable TH35 (EN 60715)
Temperature range	-20...+40 °C (storage temperature -40...+80 °C)
Test isolation voltage	4 kV (prim./sec.)

The information in this brochure has been compiled with the utmost care.

Liability for the correctness completeness and topicality of the information is restricted to gross negligence. Version: 2023-01-11

Murrelektronik GmbH | Falkenstr. 3 | 71570 Oppenweiler | Fon +49 (71 91) 47-0 | Fax +49 (71 91) 47-491000 | shop@murrelektronik.com | shop.murrelektronik.com

Drill hole Ø	4.8×8.4 mm
Fixing centers a×b×c	56×56×4.8 mm
Dimensions H×W×D	79×78×93 mm

Output

Output voltage	230 V AC
Output rating	63 VA

Input

Input voltage	230/400 V AC
Inrush current	2 A (230 V AC); 1.15 A (400 V AC)
Short-circuit current	2.64 A (230 V AC); 1.52 A (400 V AC)
Input current	0.32 A (230 V AC); 0.18 A (400 V AC)
Frequency	50...60 Hz

Product article number of manufacturer	6686347
--	---------