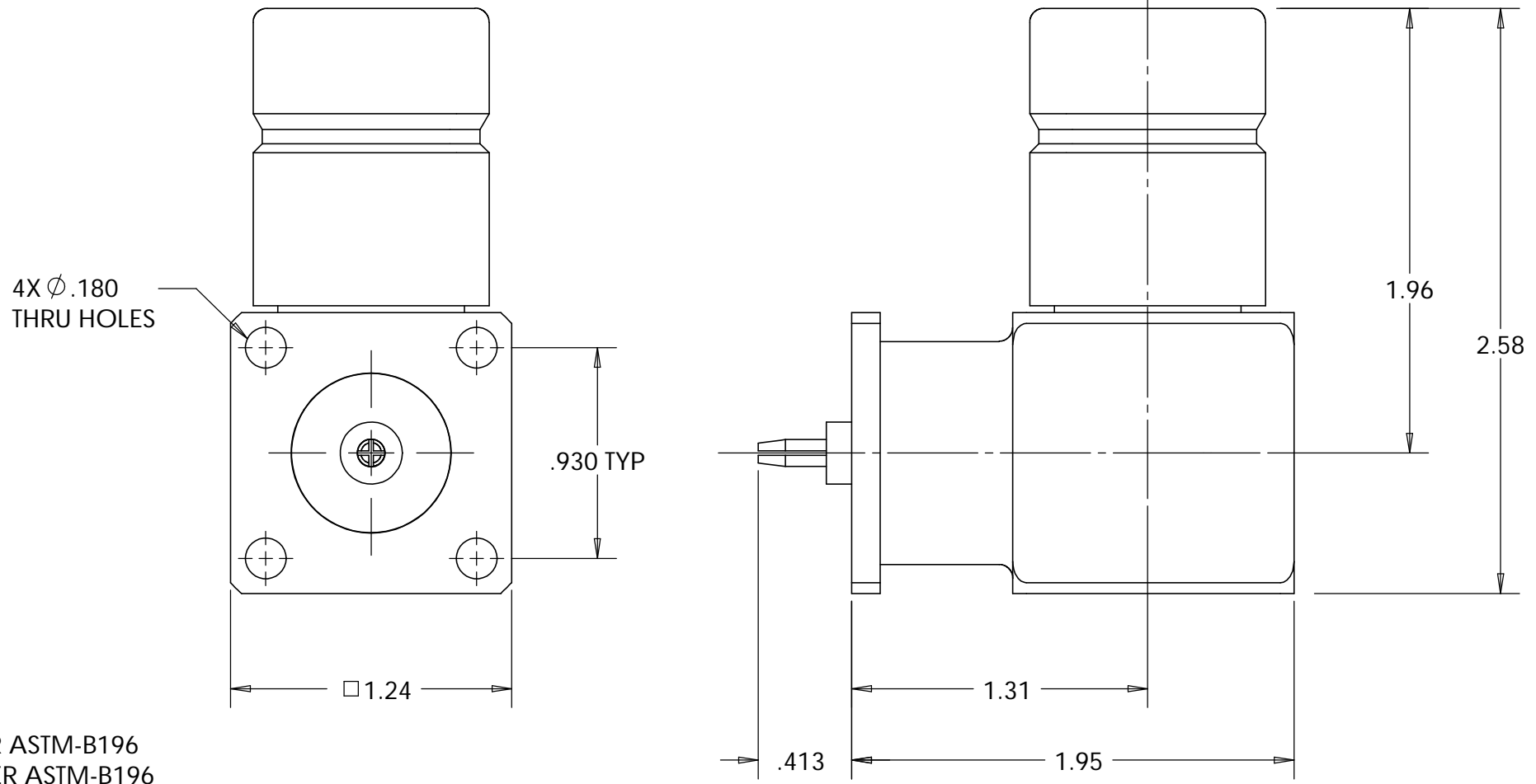
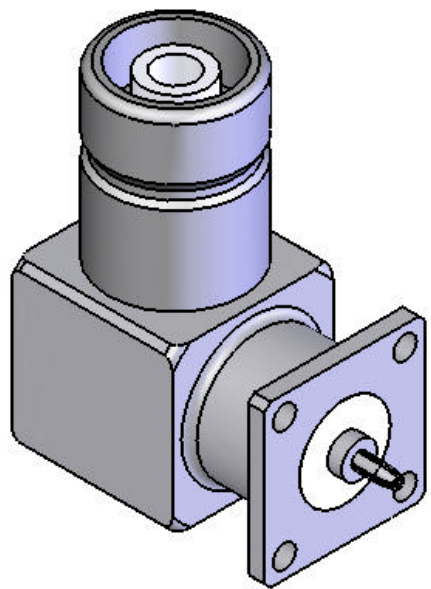


This document, including the design, configuration and mechanical features revealed herein are the sole, confidential and proprietary property of TRU Corporation. Reproduction or use thereof, in whole or part, is prohibited without the prior written consent of TRU Corporation.

REV.	DESCRIPTION	DATE	APPROVED
-	ORIGINAL ISSUE	7/19/07	AM
A	CHANGED PER ECO 3572	03/25/08	DA



**ENGINEERING DATA:**


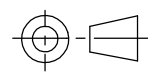
**ELECTRICAL:**  
 IMPEDANCE: 50 OHMS NOMINAL

**MECHANICAL:**  
 INTERFACE: QC(m) PER TRU SPEC  
 SQS(f) PER TRU SPEC

**MATERIAL:**  
 INSULATOR: TEFLON PER ASTM-D1710, I1A  
 QC(m) CONTACT: BERYLLIUM COPPER C17300, TD04 (H) PER ASTM-B196  
 CONTACT FINGERS: BERYLLIUM COPPER C17300, TD04 (H) PER ASTM-B196  
 SQS(f) CONTACT: BERYLLIUM COPPER C17300, TD04(H) PER ASTM-B196  
 OTHER METAL PARTS: BRASS C36000, H02 PER ASTM-B16

**FINISH:**  
 CONTACTS: SILVER PLATED  
 OTHER METAL PARTS: NICKEL PLATED

- NOTES:**
- UNLESS OTHERWISE SPECIFIED; ALL DIMENSIONS ARE REFERENCE ONLY
  - PRODUCT COMPLIES WITH ROHS DIRECTIVE 2002/95/EC.

MATERIAL	DO NOT SCALE DRAWING	DRAWN KH	DATE 7/19/07	 <b>TRU CORPORATION</b> 245 LYNNFIELD STREET, PEABODY, MA 01960 The Custom Interconnect Leader™
	UNLESS OTHERWISE SPECIFIED: DIMENSIONS ARE IN INCHES  TOLERANCES: FRACTIONS: ±1/64 .XX : ±.01 .XXX: ±.005 ANGLES: ±1/2° MACHINED SURFACES: 63/	ENG APPR. AM	DATE 7/19/07	
MFG APPR.		DATE		
OTHER APPR.		DATE	THIRD ANGLE PROJECTION 	SIZE <b>B</b> DWG. NO. TRU-15029 CAGE CODE: 92180
COMMENTS:	surface area: sq inch	weight: 0.78 lbs		