

DASH NO.	M CODE	MADE FROM
----------	--------	-----------

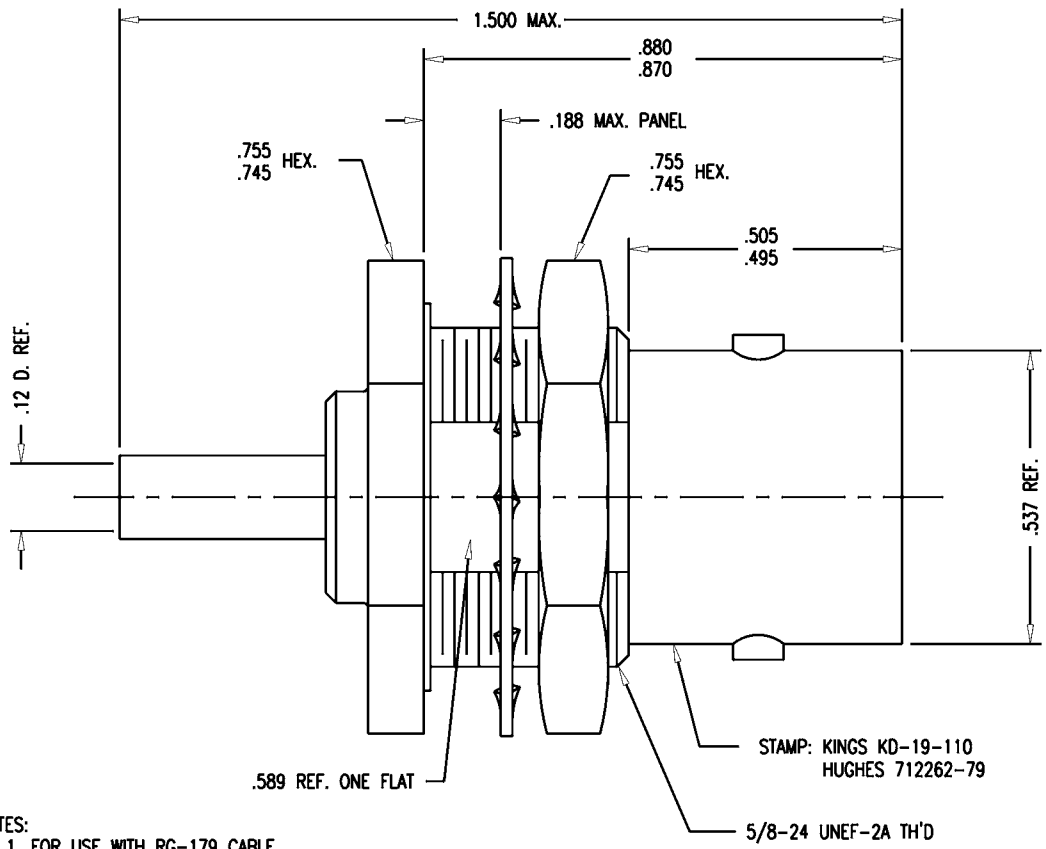
GSD

KD-19-110

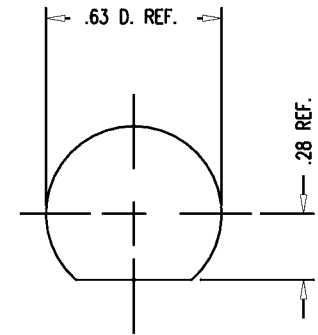
REVISIONS

ISSUE	CHANGES
0	ER 36793 KH 02/02/96
1	CN 37078 A KH 08/21/96

KAM6367



- NOTES:
- FOR USE WITH RG-179 CABLE.
 - FOR CABLING INSTRUCTIONS SEE CP-5458.
 - FOR CRIMPING USE DIE KTH-2021.
 - INTERFACE PER MIL-STD-348, FIG. 302-2.
 - MATERIALS:
 - GASKET-SILICONE RUBBER, ZZ-R-765
 - K-GRIP SLEEVE-COPPER, ASTM B 133 ALLOY 110
 - INSULATOR-TEFLON, ASTM-D-4894
 - LOCKWASHER-PHOSPHOR BRONZE, ASTM-B-103
 - CENTER CONTACT F-BER. COP., ASTM-B-196
 - ALL OTHER METAL PARTS-BRASS, ASTM-B16
 - FINISHES:
 - ALL METAL PARTS-SILVER PLATE PER QQ-S-365
 - ELECTRICAL CHARACTERISTICS:
 - NOMINAL IMPEDANCE-50 OHMS
 - WORKING VOLTAGE-1000 VRMS
 - FREQUENCY RANGE-DC TO 11 GHZ



MOUNTING HOLE

GSD

SCALE	4:1		
APPROX SURFACE AREA			
WAS:	E-11666		
USED ON			
REF:	HUGHES DWG. # 712262-79		
JACK, BULKHEAD, C			
DRAWN	KH	DATE	02/02/96
DESIGN	AR	DATE	02/03/96
APPR.		DATE	

KINGS
ELECTRONICS CO., INC.
TUCKAHOE, NEW YORK 10707

KD-19-110