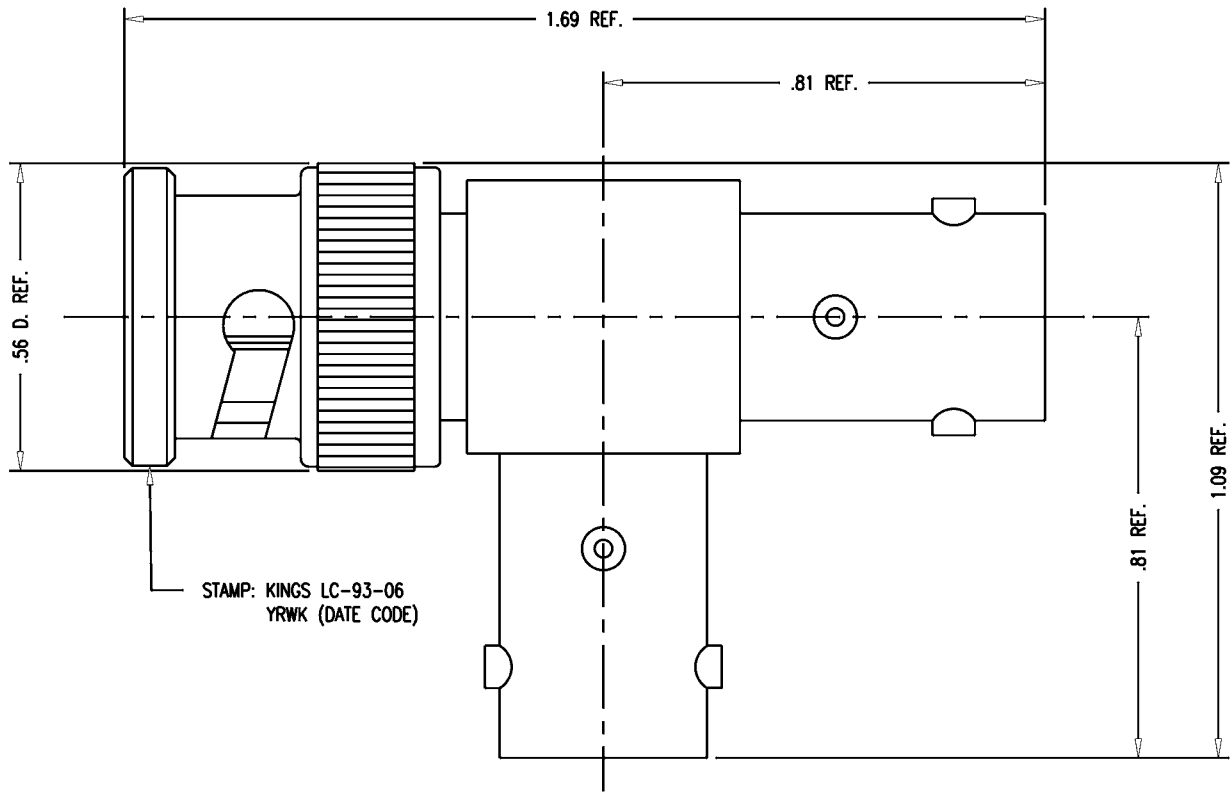


DASH NO.	M CODE	MADE FROM
----------	--------	-----------

GSD

LC-93-06

REVISIONS	
ISSUE	CHANGES
8	CN 34902 C REDRAWN JCA 10/01/93
9	CN 38485 E TML 02/22/02



STAMP: KINGS LC-93-06
YRWK (DATE CODE)

- NOTES:
- MATERIALS:
 - INSULATORS: TEFLON, ASTM-D-1457
 - GASKET: SIL. RUB., QQ-R-765
 - OUTER CONTACT } BER. COP., ASTM-D-196
 - SPRING WASHER }
 - CONTACT F-M }
 - ALL OTHER PARTS: BRASS, ASTM-B16
 - FINISHES:
 - ALL METAL PARTS: SILVER PLATE PER QQ-S-365

WAS: JCA4375 LC9306S

SCALE	4:1	
APPROX SURFACE AREA		
USED ON		
REF:	AG-EA 5212	
ADAPTER, M-F-F, TEE, FUEL GAGE, POLARIZED		
DRAWN	JCA	DATE 10/01/93
DESIGN	MJB	DATE 10/01/93
APPR.		DATE

GSD

KINGS
ELECTRONICS CO., INC.
ROCK HILL, SOUTH CAROLINA 29730
LC-93-06