

MONDRAGON

Modular Connection Block for Distribution

Use

This block is designed for use in terminal boxes that are used in cabinets and inspection units in housing developments.

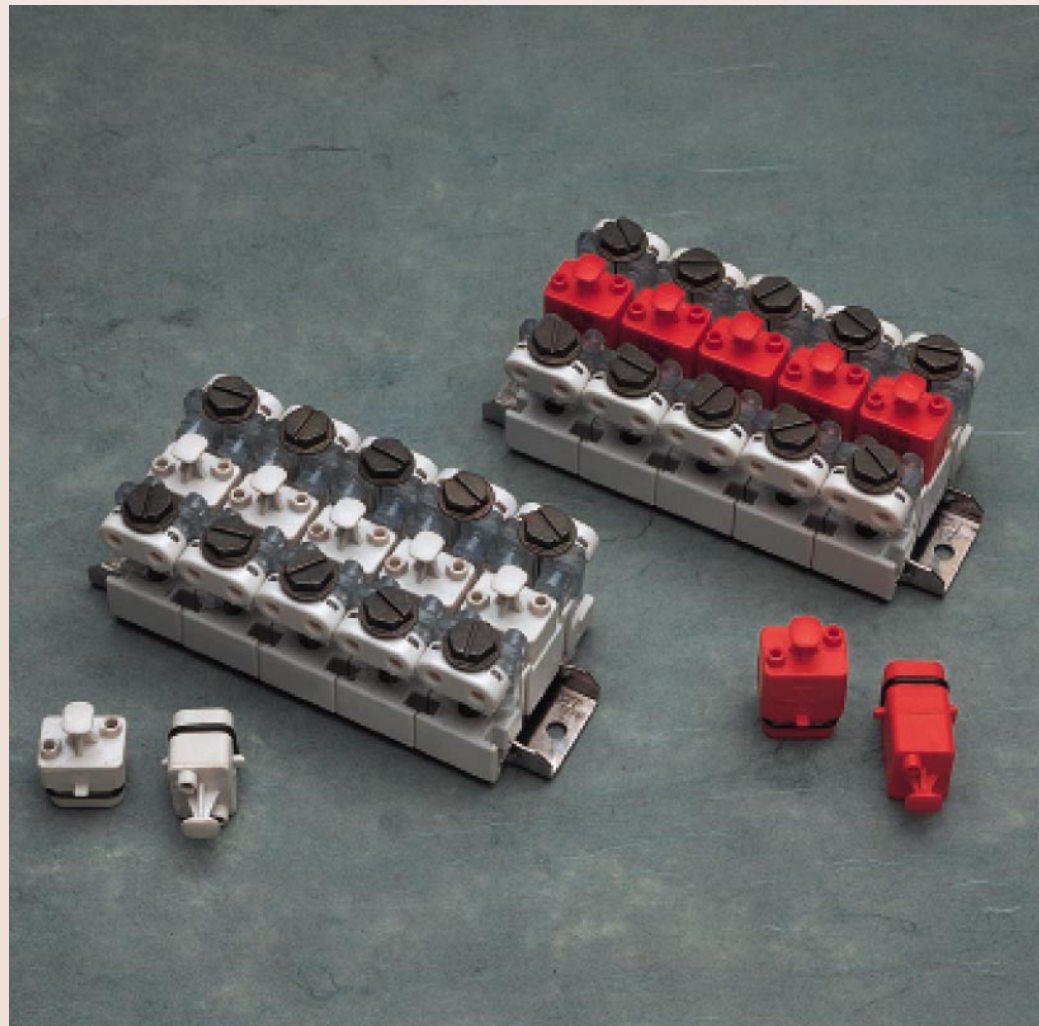
The VX-connection module provides a connection point between an exchange-side cable pair and a distribution pair. It incorporates a 5-point plug-in module to provide continuity and a range of other options. Removal of the plug-in module does not disturb wire connections but makes contacts to them available for testing to both sides of the network.

It is especially recommended for

- outdoor connections where the environmental conditions are extremely aggressive,
- terminations where user development characteristics require future flexibility in terms of the type of protection or filtering capabilities.

Description

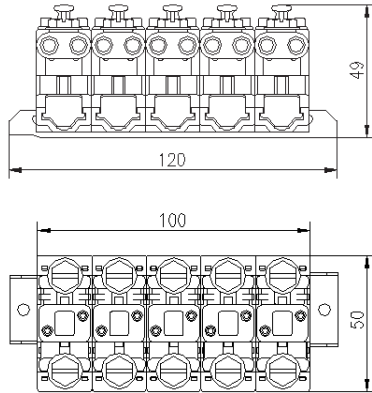
The distribution block is available from 5 pairs upwards in increments of 5. Each set of five is mounted on a length of stainless steel DIN railing.



V X - D R

VX-DR

Dimensions



Heights are maximum values

Ordering information

Description	Plug-in module configuration	Plug-in module test access type	Order number
VX-DR-05-P	Continuity	Pins	107006-000
VX-DR-05-PG04	230 V GDT	Pins	029767-000

For other configurations, please consult your local Tyco Electronics sales engineer.

Specifications

Contact characteristics

Drop wire connector	
Gauge range:	0.4 to 1.2 mm diameter
Jacket diameter:	5 mm maximum diameter
Pair connector	
Gauge range:	0.4 to 1.2 mm diameter
Jacket diameter:	3 mm maximum diameter
Current conducting capacity	20 A, 10 A per conductor, for 10 minutes, at least, without causing deformation of the module*
Insulation resistance	
Dry atmosphere:	$>10^{12} \Omega$
Damp atmosphere (ASTM D618, procedure F):	$>10^{12} \Omega$
Salt fog (ASTM B117):	$>10^{10} \Omega$
Immersion in water (15 days in 3% NaCl solution):	$>10^{10} \Omega$
Contact resistance	
$R_{\text{material}} + R_{\text{bridge contacts}} + R_{\text{wire contacts}}$:	$<10 \text{ m} \Omega$
Increase in contact resistance	
After climatic tests:	$<2.5 \text{ m} \Omega$
After 50 reinsertions:	$<2.5 \text{ m} \Omega$
Dielectric strength:	$>3,000 \text{ Vdc}$ for 1 minute

Mechanical characteristics

Rail:	DIN 35 mm stainless steel
Pair/drop wire housing screw:	Special passivated direct + lacquered Zamac alloy
Drop wire housing body:	Transparent polycarbonate
Body:	V0 glass-fiber reinforced polycarbonate
Insertion contacts: (in connection module)	Tinned phosphor bronze
Ground contacts: (in connection module)	Cu - Zn - Ni - Ag alloy
Continuity contacts: (in connection module)	Tinned hard brass
Lower sealant:	Epoxy resin
Upper cable sealant:	Silicone fluid
Pair / drop wire bearing cover:	Polycarbonate
Plug-in module body:	V0 glass-fiber reinforced polycarbonate
Plug-in module sealant:	Gel
"O" ring:	EPDM
Spring:	Stainless steel
Cable / drop wire membrane:	Thermoplastic rubber

* If $> 20 \text{ A}$ up to 30 A is required, this is possible using a different GDT.

Tyco, Raychem and VX are trademarks of Tyco International.

The information given herein, including drawings, illustrations and schematics which are intended for illustration purposes only, is believed to be reliable. However, Tyco Electronics makes no warranties as to its accuracy or completeness and disclaims any liability in connection with its use. Tyco Electronics' obligations shall only be as set forth in Tyco Electronics' Standard Terms and Conditions of Sale for this product and in no case will Tyco Electronics be liable for any incidental, indirect or consequential damages arising out of the sale, resale, use or misuse of the product. Users of Tyco Electronics products should make their own evaluation to determine the suitability of each such product for the specific application.

Mondragon Telecommunications Raychem NV

Polígono industrial Mediterráneo
C/. la Fila, parcela 6
46550 Albuixech-Valencia, España
Tel.: 34-96-141 70 72
Fax: 34-96-141 74 15

Diestsesteenweg 692
3010 Kessel-Lo, Belgium
Tel.: 32-16 351 011
Fax: 32-16 351 697
www.tycoelectronics.com

Raychem

8000 Purfoy, Rd.
Fuquay-Varina, NC 27526, USA
Tel.: 1-919-557 8600
Fax: 1-919-557 8404