

Printview: Male connector; for DIN 35 rail mounting; 3-pole; Pin spacing 7.62 mm / 0.3 in; 100% protected against mismatching; codable - Item No.: 831-3203/007-9033

WAGO® online catalog / eShop

Male connector; for DIN 35 rail mounting; 3-pole; Pin spacing 7.62 mm / 0.3 in; 100% protected against mismatching; codable

Item No.: 831-3203/007-9033



Male connector; for DIN 35 rail mounting; 3-pole; Pin spacing 7.62 mm / 0.3 in; 100% protected against mismatching; codable

Marking

RoHS ✓
Compliant

Business data

Supplier	WAGO
Item no.	831-3203/007-9033
GTIN / EAN	4050821241317
Content	1
Order amount	24
Customer item number	

Notes

Item description: Universal connection for all conductor types Simple push-in of both solid and ferruled conductors Integrated test ports for 2mm Ø test plugs 600V to UL 1059 100% protected against mismatching Coding option available

Technical data

Miscellaneous

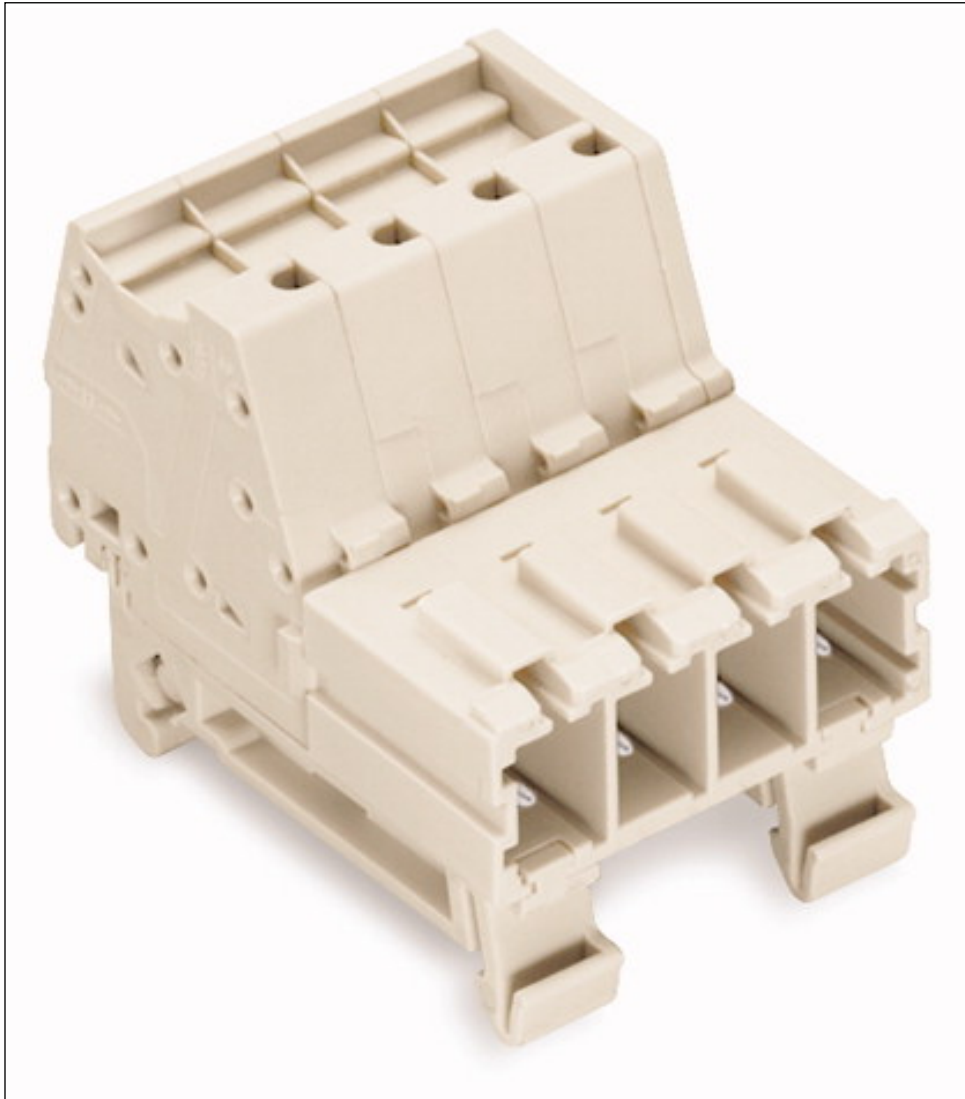
No. of poles	3
Pin spacing	7.62 mm (0.3 in %)
Total number of connection points	3
Total number of potentials	3
Color	light gray
Ratings according to 1	IEC/EN 60664-1

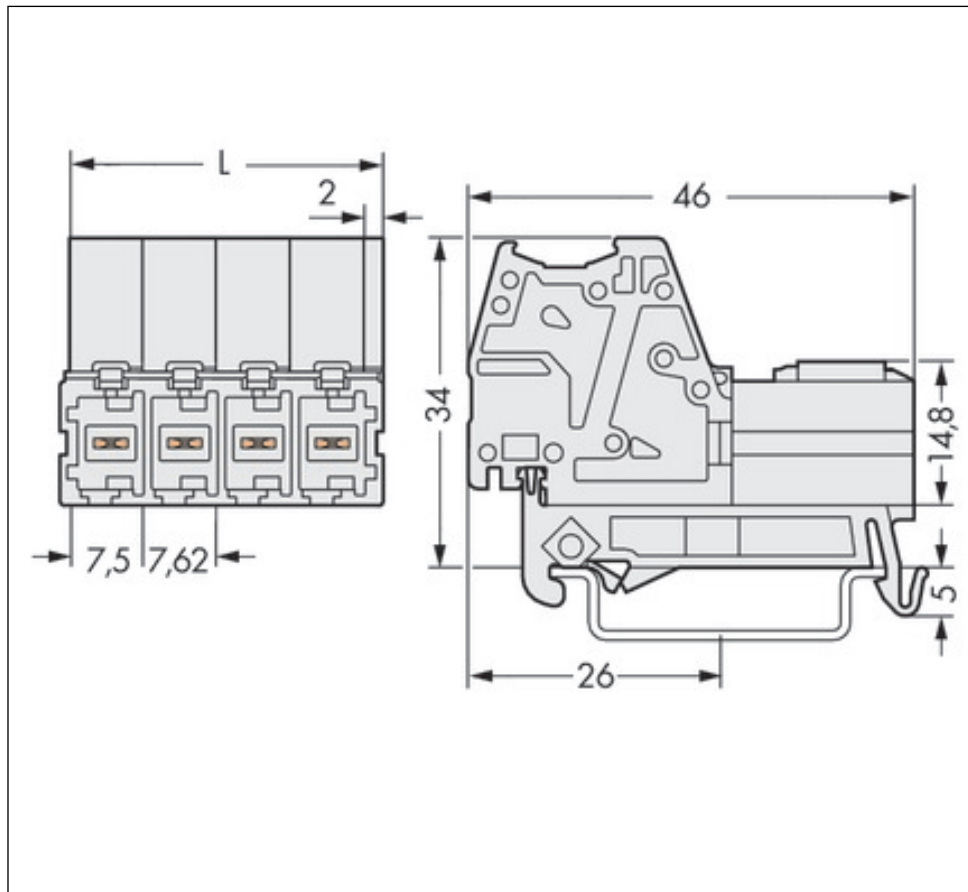
Printview: Male connector; for DIN 35 rail mounting; 3-pole; Pin spacing 7.62 mm / 0.3 in; 100% protected against mismatching; codable - Item No.: 831-3203/007-9033

Technical data	
<i>Rated voltage (III / 3) [V]</i>	<i>800 [V]</i>
<i>Rated surge voltage (III / 3) [kV]</i>	<i>8 [kV]</i>
<i>Rated voltage (III / 2) [V]</i>	<i>1000 [V]</i>
<i>Rated surge voltage (III / 2) [kV]</i>	<i>8 [kV]</i>
<i>Rated voltage (II / 2) [V]</i>	<i>1000 [V]</i>
<i>Rated surge voltage (II / 2) [kV]</i>	<i>8 [kV]</i>
<i>Nominal current [A]</i>	<i>41 [A]</i>
<i>Number of individual connection objects at the product</i>	<i>1</i>
<i>Number of levels</i>	<i>1</i>
<i>Number of connection points</i>	<i>1</i>
<i>Solid sizes</i>	<i>0.5 ... 10 mm² / 20 ... 8 AWG</i>
<i>Fine-stranded wires</i>	<i>0.5 ... 10 mm² / 20 ... 8 AWG</i>
<i>Fine-stranded wires with insulated ferrule</i>	<i>0.5 ... 6 mm² / ...</i>
<i>Fine-stranded wires with uninsulated ferrule</i>	<i>0.5 ... 6 mm² / ...</i>
<i>Strip length</i>	<i>13 ... 15 mm / 0.51 ... 0.59 in</i>
<i>Material group</i>	<i>I</i>
<i>Insulating material</i>	<i>Polyamide 66 (PA 66)</i>
<i>Flammability rating per UL 94</i>	<i>V0</i>
<i>Limit temperature range</i>	<i>-60 ... 105 C</i>
<i>Clamping spring material</i>	<i>Chrome-nickel spring steel (CrNi)</i>
<i>Contact material</i>	<i>Electrolytic copper (Ecu)</i>
<i>Contact plating</i>	<i>tin-plated</i>
<i>Fire load [MJ]</i>	<i>0.479 [MJ]</i>
<i>Weight [g]</i>	<i>23.738 [g]</i>
<i>Width</i>	<i>24.74 mm / 0.974 in</i>
<i>Height</i>	<i>39 mm / 1.535 in</i>
<i>Height from upper-edge of DIN-rail</i>	<i>34 mm / 1.339 in</i>
<i>Length</i>	<i>46 mm / 1.811 in</i>
<i>Type of mounting</i>	<i>DIN-35 rail</i>

Printview: Male connector; for DIN 35 rail mounting; 3-pole; Pin spacing 7.62 mm / 0.3 in; 100% protected against mismatching; codable - Item No.: 831-3203/007-9033

Images & drawings





Address

WAGO Kontakttechnik GmbH & Co. KG

Hansastr. 27

32423 Minden

Telefon: 0571/887-0

Fax: 0571/887-169

<http://www.wago.com>

© WAGO Kontakttechnik GmbH & Co. KG

Technische Änderungen und Irrtümer vorbehalten.