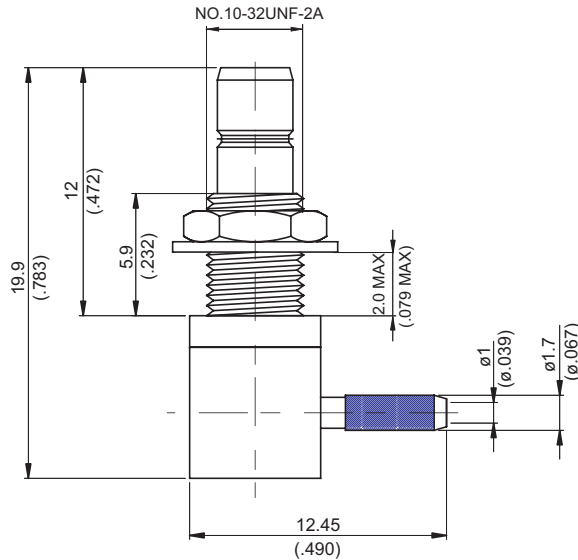
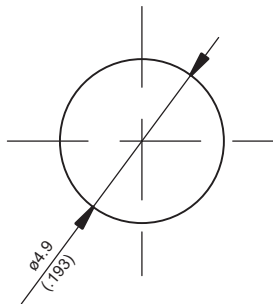


SMB8105-9178

SMB Jack Crimp For Bulkhead Right Angle 50Ω



MOUNTING HOLE :



Parts	Material	Plating (Micro-inch)
Hex Nut	Brass	Gold 5 Over Nickel 50 Over Copper 50
Washer	Brass	Gold 5 Over Nickel 50 Over Copper 50
Cover	Brass	Gold 5 Over Nickel 50 Over Copper 50
Ferrule	Brass	Gold 5 Over Nickel 50 Over Copper 50
Contact Pin	Brass	Gold 20 Over Nickel 50 Over Copper 50
Insulator	Teflon	
Body	Brass	Gold 5 Over Nickel 50 Over Copper 50

Weight: 3.07 g

Suitable Cables: RG178, RG178-FEP, RG196

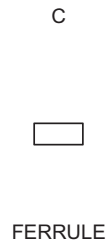
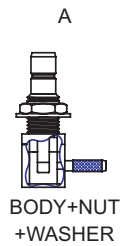
This part number complies with RoHS.

Notice: JYEBAO reserves the right to make modifications deemed appropriate.

## CABLE ASSEMBLY INSTRUCTION

SMB8105-9178

JYE BAO CO., LTD.

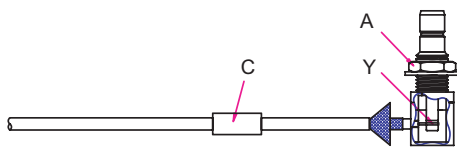


DIAGRAM

ASSEMBLY INSTRUCTION



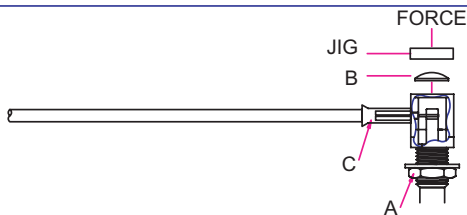
Step 1: STRIP AS SHOWN .



Step 2: SLIDE FERRULE " C " OVER CABLE .  
Step 3: WRAP THE BRAIDING UPWARDS.  
Step 4: SLIDE CENTER CONDUCTOR ON THE CONTACT PIN OF CONNECTOR " A " AND SOLDER IN " Y "



Step 5: SLIDE FERRULE " C " TOWARDS THE CONNECTOR " A " AND CRIMP .



Step 6: PRESS ON THE TOP OF " B " WITH JIGS .

This part number complies with RoHS.

Notice: JYEBAO reserves the right to make modifications deemed appropriate.