

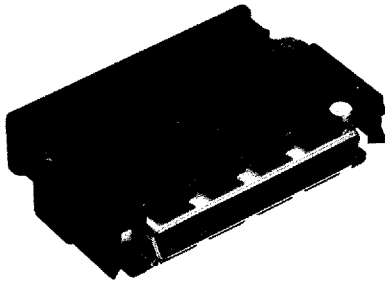
FEMALE CONNECTOR FOR TERMINATION

Ordering Information

PCS-E50FT-()

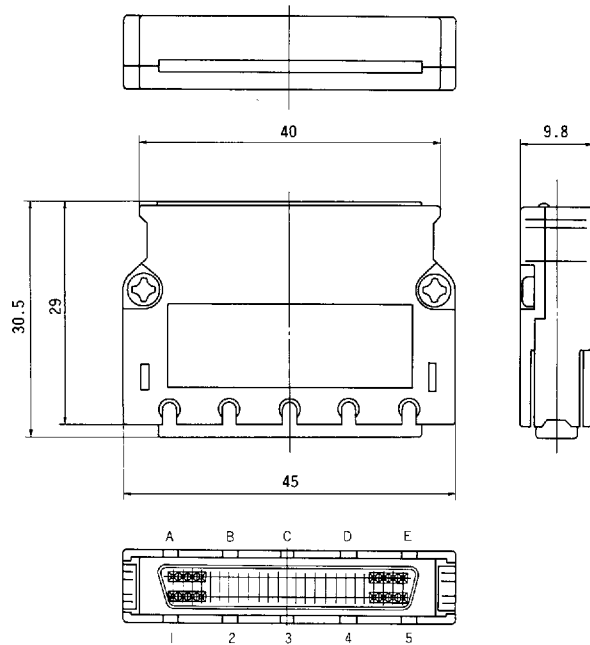
① ② ③ ④

- ① Series Prefix
- ② Number of Contacts: 50
- ③ Female Terminating Connector
- ④ Insertion Error-Proof Key Rivet Mounting
Position (Standard key code: 1E, 2D, 4B, 5A)

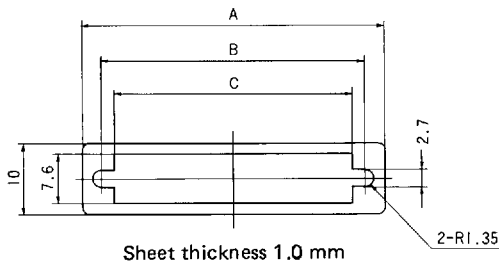


PCS-50FT-1E

Terminating Female Connector PCS-50FT-()

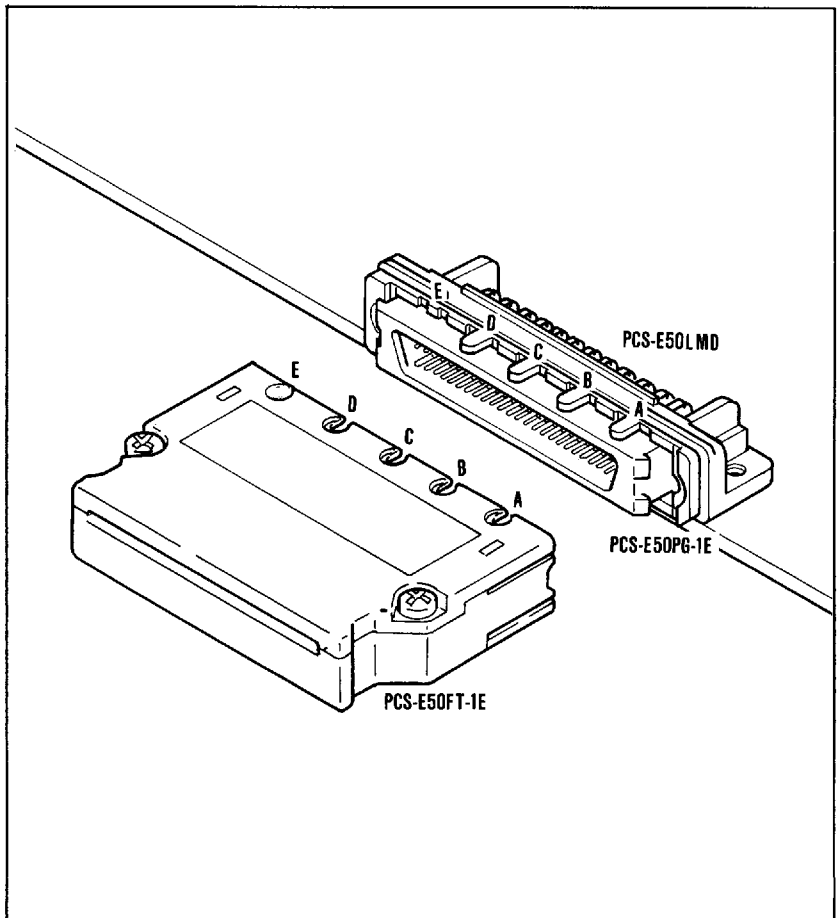


Spacer PCS-E()M-SP



No. of contacts	Part No.	A	B	C
20	PCS-E20M-SP	32.8	27.4	22.8
28	PCS-E28M-SP	37.9	32.5	27.9
36	PCS-E36M-SP	43.0	37.6	33.0
50	PCS-E50M-SP	51.9	46.5	41.9
68	PCS-E68M-SP	63.3	57.9	53.3
* 80	PCS-E80M-SP	70.9	65.9	61.3
96	PCS-E96M-SP	81.1	75.69	71.1

Item marked with * is in planning stage.



HIGH DENSITY CONNECTORS FOR PC BOARDS AND INTERFACES

High Density Connectors (anti-EMI, with lock, for interface)
for Board-to-Board and Board-to-Cable Connection

APPLICATION

The PCS series are high density connectors with 1.27 mm spacings designed to meet the need of connection in miniaturized electronic equipment, such as personal computers, facsimiles, printers and other OA equipments.

FEATURES

Features of the PCS series connectors include the following.

Board-to-board connector

- (1) Available with contacts ranging from 34 to 96, allowing diverse connections of circuits.
- (2) Designed for smooth connection and disconnection with low insertion and extraction force.
- (3) Drain mechanism is provided to drain washing solution out of the housing after flux cleaning.

Board-to-cable connector

- (1) IDC type (press fitting) cable connection is standard, allowing labor saving in connecting operation.
- (2) 28AWG(7/0.127), 38AWG(1/0.254) and 30AWG(7/0.1) wire sizes are available.
- (3) Designed to prevent EMI, in addition to FCC.
- (4) Construction for use in interface connection (cable covering and receptacle shell are made of die casting). A rigid metal spring is used for the connector joint and can be quickly locked.
- (5) Connectors are available with 20 to 96 contacts.

MATERIAL AND FINISH

Board-to-board connector

- Pin contact : Phosphor bronze (gold plating over nickel coating, solder plating on contact)
- Socket contact : Phosphor bronze (gold plating over nickel coating, solder plating on contact)
- Insulator : PBT resin (GF) UL94V-0 black

Board-to-cable connector

- Pin contact : Phosphor bronze (gold plating over nickel coating, solder plating on contact)
- Socket contact : Phosphor bronze (gold plating over nickel)
- Insulator : PBT resin (GF) UL94V-0 black
- Cable covering : Zinc die cast (nickel plating under copper)
- Receptacle shell : Zinc die cast (nickel plating under copper)
- Plug shell : Copper (tin plating)
- Lock spring : Stainless steel

PERFORMANCE

- Rated current : 1A
- Rated voltage : 250 V AC (r.m.s)
- Insulation resistance : 1000 M Ω or more
- Withstand voltage : 750 V AC (r.m.s) or more for 1 minute
- Contact resistance : 35 m Ω or less (including conductor resistance)
- Compatible board thickness : 1.6 mm
- Diameter of through-hole in board : ϕ 0.7 mm Minimum
- Operating temperature and humidity range : -55°C to +105°C, 85% Rh maximum

