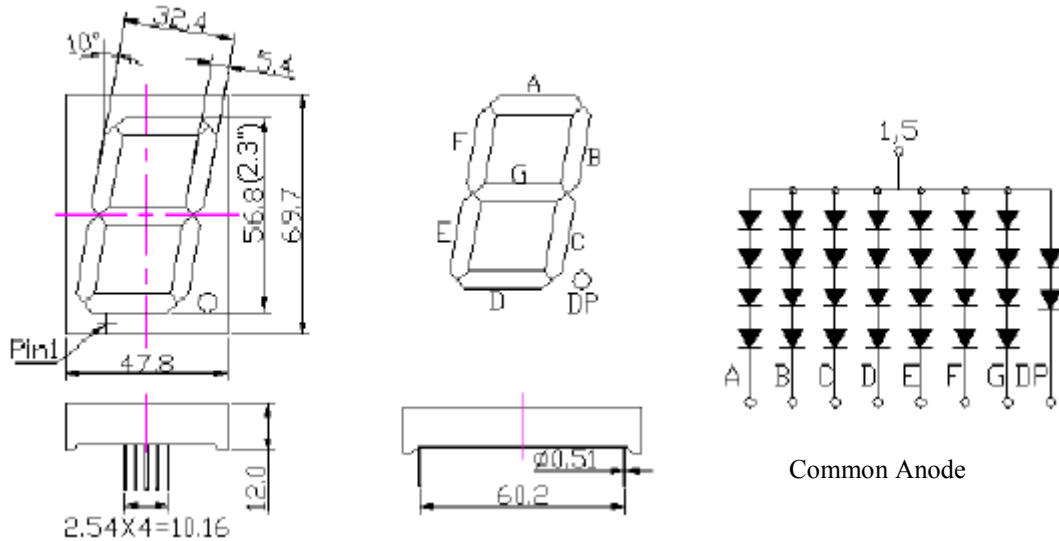


SEVEN SEGMENT DISPLAY – 56.8 mm (2.3 INCH)

DATA SHEET 3552 REV.1.2



Notes: All dimensions are in mm, tolerance is ± 0.25 mm (0.01") unless otherwise specified

Electro-optical Characteristic: ($T_a = 25^\circ\text{C}$)

Part No.		Chip Material	Color	Wavelength (nm)	Iv (mcd)	Note
Common Anode	Common Cathode				Typ. 20mA	
LN1230-G-AG	--	GaP	Green	572	40	
LN1230-RE-AG	--	GaAsP	Red	630	45	
LN1230-RS-AG	--	GaAlAs	Red	660	140	

Features

- 2.3" digit height, Gray surface
- Uniformly illuminated segments
- Wide viewing angle
- Excellent characters appearance

Description

LN1230 series display is fully compatible with industry standard 2.3" package with options of low current (-xxL), common anode (-Axx) and common cathode (-Cxx).

Cross Reference

Liteon	Sensitron
LTS23805HRB	LN1230-RE-AG