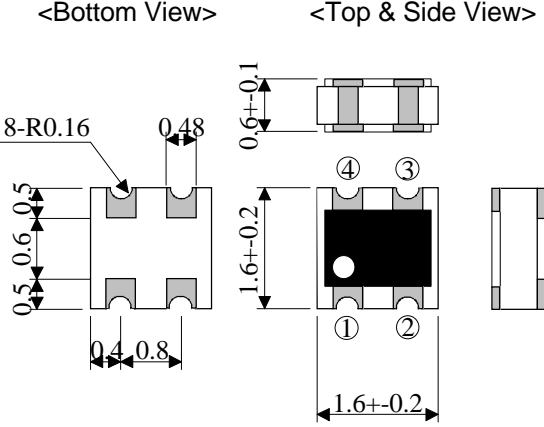


# EHF FD1795, FD1796, FD1797 Coupler / Divider

[Dimensions] unit : mm

[Pin Assignment]



No.	
1	IN
2	OUT
3	R
4	D. OUT

[Characteristics] Ta=25°C

No.	Item	Specification			Unit
		FD1795	FD1796	FD1797	
1	Frequency	1850-	1850-	1850-	MHz
		1910	1910	1910	
2	Insertion Loss (OUT)	4 max	4 max	4 max	dB
3	Coupling (D. OUT)	6.5±1	4±1	5.5±1	dB
4	Isolation	20 min	20 min	20 min	dB

[Equivalent Circuit]

[Recommended Land Size]

