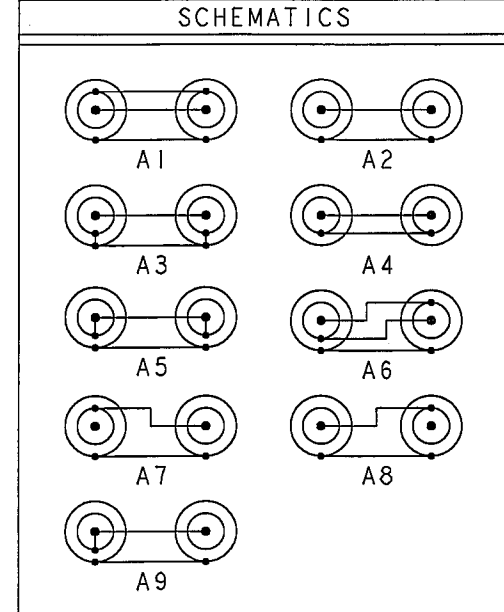
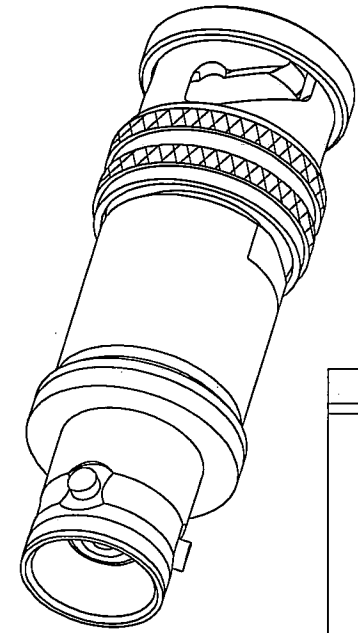
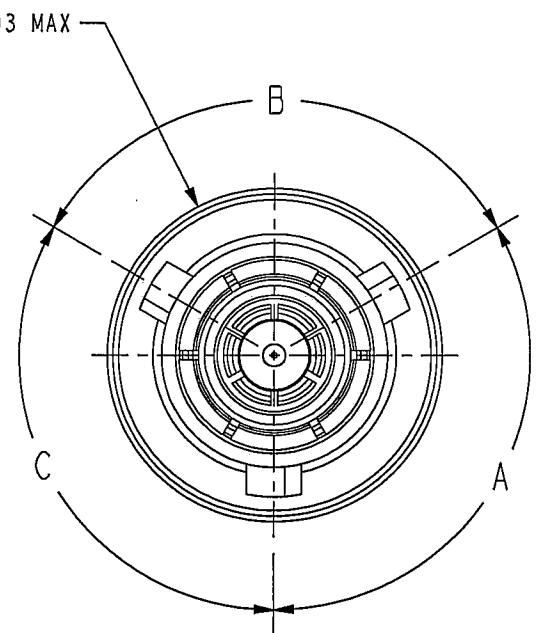
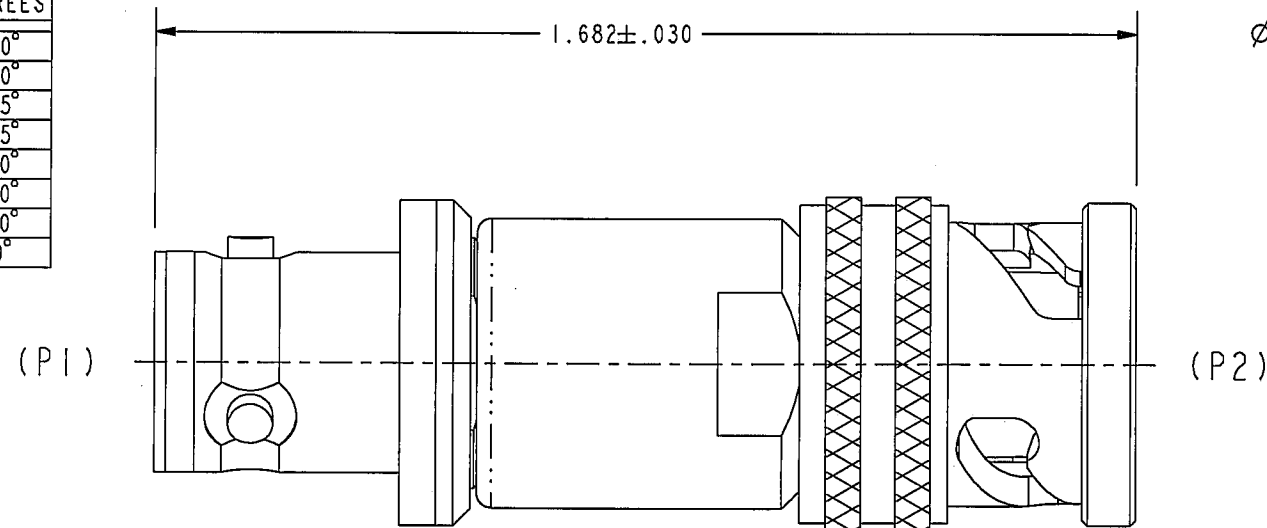


DATA CONTAINED IN THIS DOCUMENT IS PROPRIETARY OF TROMPETER ELECTRONICS INC. AND SHALL NOT BE DISCLOSED, COPIED OR USED FOR PROCUREMENT OR MANUFACTURE WITHOUT EXPRESS WRITTEN PERMISSION.

REVISIONS			
REV	DESCRIPTION	DATE	APPROVED
F	REVISED PER ECO 15652	10-13-04	WJ

CONN P2	CONNECTOR P1 TYPE BJ77Y									CONNECTOR P1 TYPE BJ77S									CONNECTOR P1 TYPE BJ77W									CONNECTOR P1 TYPE BJ77X									CONNECTOR P1 TYPE BJ77Z								
	A1	A2	A3	A4	A5	A6	A7	A8	A9	A1	A2	A3	A4	A5	A6	A7	A8	A9	A1	A2	A3	A4	A5	A6	A7	A8	A9	A1	A2	A3	A4	A5	A6	A7	A8	A9	A1	A2	A3	A4	A5	A6	A7	A8	A9
	PL75Y	-1	-2	-3	-4	-5	-6	-7	-8	-9	---	---	---	---	---	---	---	---	---	---	---	---	---	---	---	---	---	---	---	---	---	---	---	---	---	---	---	---	---	---	---	---	---	---	---
PL75S	---	---	---	---	---	---	---	---	---	-10	-11	-12	-13	-14	-15	-16	-17	-18	---	---	---	---	---	---	---	---	---	---	---	---	---	---	---	---	---	---	---	---	---	---	---	---	---	---	---
PL75W	---	---	---	---	---	---	---	---	---	---	---	---	---	---	---	---	---	---	-19	-20	-21	-22	-23	-24	-25	-26	-27	---	---	---	---	---	---	---	---	---	---	---	---	---	---	---	---	---	---
PL75X	---	---	---	---	---	---	---	---	---	---	---	---	---	---	---	---	---	---	---	---	---	---	---	---	---	---	---	-28	-29	-30	-31	-32	-33	-34	-35	-36	---	---	---	---	---	---	---	---	---
PL75Z	---	---	---	---	---	---	---	---	---	---	---	---	---	---	---	---	---	---	---	---	---	---	---	---	---	---	---	---	---	---	---	---	---	---	---	---	-37	-38	-39	-40	-41	-42	-43	-44	-45

TABLE 2 POLARIZATION CHART			
KEYING LETTER	A DEGREES	B DEGREES	C DEGREES
T	100°	150°	110°
U	120°	130°	110°
V	115°	130°	115°
W	125°	110°	125°
X	130°	100°	130°
Y	110°	140°	110°
Z	100°	160°	100°
S	135°	135°	90°



- 5. FINISH: TFS-1A (NICKEL)
- 4. ALL MATERIALS MEET THE OUTGASSING REQUIREMENTS OF NASA SPECIFICATION SP-R-0022A AND TEI VACUUM READY SPECIFICATION TT-09

3. EXAMPLE OF COMPLETE PART NUMBER:
 305-1317-1
 BASIC VACUUM READY POLARIZED ADAPTER (FOR STANDARD POLARIZATION, SEE 305-1306) DASH NUMBER (SEE TABLE 1)

- 2. POLARIZATION LETTER FOR CONNECTOR P1 AND P2 SHOULD BE THE SAME
- 1. WITHIN SERIES ADAPTER 3-LUG, CONCENTRIC TWINAX/TRIAX RECEPTACLE TO 3-LUG, CONCENTRIC TWINAX/TRIAX PLUG, POLARIZED, VACUUM READY

NOTES: UNLESS OTHERWISE SPECIFIED.

RED INDICATES ORIGINAL

INTERPRET DRAWING PER MIL-STD-100. DIMENSIONS ARE IN INCHES AND INCLUDE FINISH THICKNESS UNLESS OTHERWISE SPECIFIED.		TOL: UNLESS SPECIFIED .XX ± .02 .XXX ± .010 ANGLE ± 1°			
DRN L.M. 9-27-04	MATERIAL	TITLE: ADAPTER: BJ77 TO PL75 VACUUM READY			
CHR Tkh 10-4-04	FINISH	SIZE B	CAGE CODE 14949	DRAWING NO. 305-1317	REV F
QUALITY MS 10/13/04	APPROVED WJ 10/12/04	SCALE 3/1	DATE 2-12-99	SHEET 1C	DO NOT SCALE DWG
NEXT ASSY	PROJ FILE NO. 305-1317				