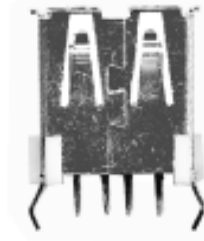


Specifications

Insulation Resistance:	1000MΩ min.
Withstanding Voltage:	750 V AC
Voltage Rating:	30 V AC (rms) max.
Current Rating:	1A max. per contact
Contact Resistance:	30mΩ max. (initial)
Operating Temperature Range:	-55°C to +85°C
Recommended Board Thickness:	1.57 mm
Mating Cycles:	1500

Part Number

USB-A-004

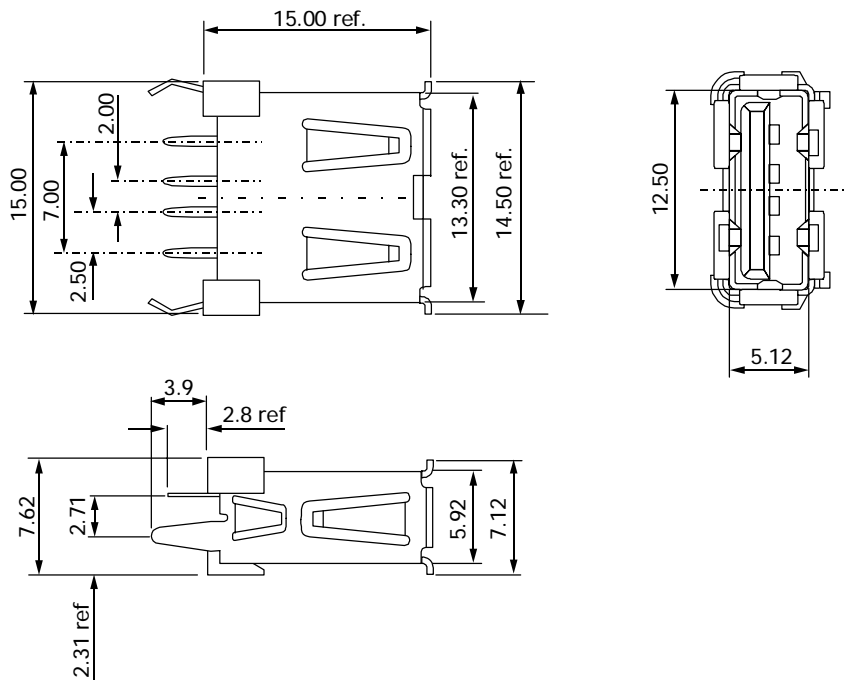


Materials and Finish

Housing:	Thermoplastic, glass filled (UL94V-0)
Shell:	Tin or Tin Lead over Copper Alloy
Contacts:	Copper Alloy
Contact Plating:	5μ" Selective Gold Plating

Applicable Dimensions (Reference Only)

180° Through Hole Type



Recommended PCB Layout

Top View

