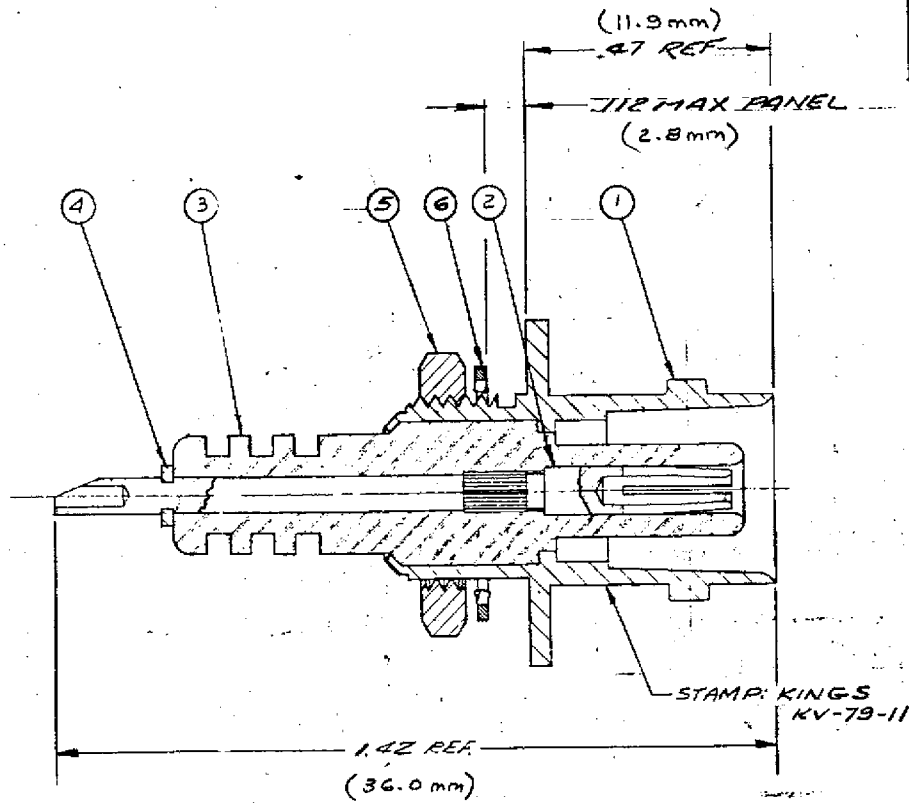
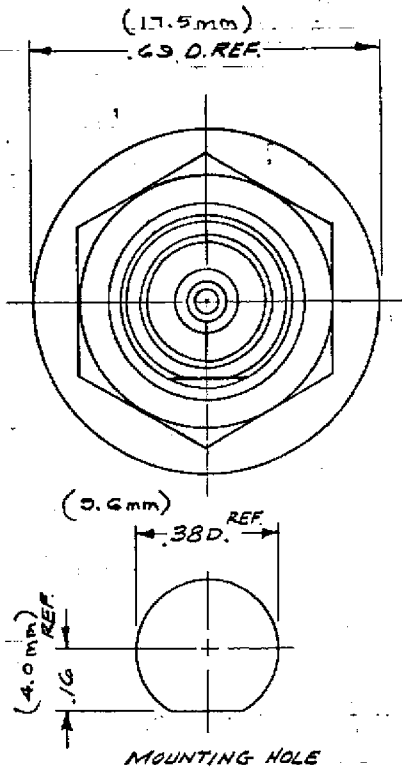


UNLESS OTHERWISE SPECIFIED LIMITS ON DIMENSIONS ARE:
 FRACTIONS = DECIMALS = ANGLES =



KV-79-11

REVISIONS	
ISSUE	CHANGES
0	ER 4628 GDEC66 J.G.
1	CN 17030E JHD 23MART

SD

REF
FINISH
SPEC. KER 10004
MAT.
SPEC.

SD

6	1	LOCKWASHER	C-71-09-7-M07
5	1	HEX NUT	706-4-M07
4	1	C-RING	
3	1	INSULATOR	
2	1	CONTACT	
1	1	BODY	
ITEM NO.	NO. REQD.	NAME	PART NO.

MHV BULK RECEPTACLE	
DRAWN CC	DATE 1 FEB 79
APPR. GINO	DATE 7 FEB 79
KINGS ELECTRONICS 40 HARBORDALE ROAD TUCKAHOE, N. Y.	
KV-79-11	

ALL DIMENSIONS PRIOR TO PLATING	REMOVE ALL BURRS. MAINTAIN SHARP CORNERS UNLESS CHAMFERS, RADII OR FILLETS ARE SPECIFIED.	UNLESS OTHERWISE SPECIFIED, MAXIMUM ACCEPTABLE SURFACE ROUGHNESS IS 100 MICROINCHES RMS IN ACCORDANCE WITH NAS-30
---------------------------------	---	---