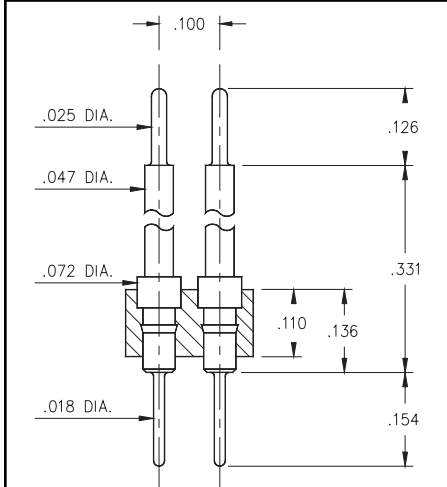
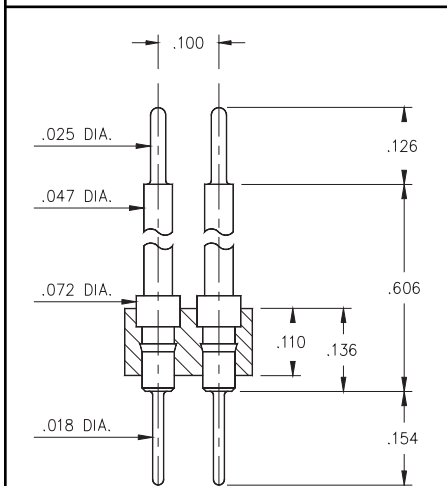


**Fig. 1**

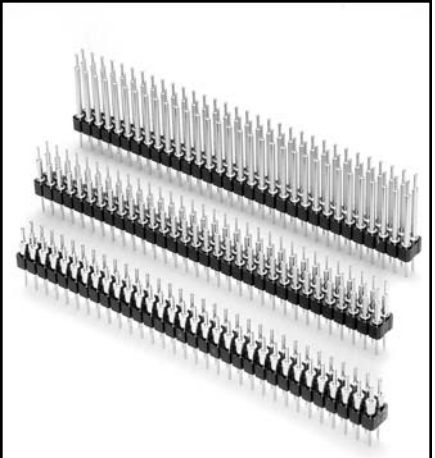


**Fig. 2**



**Fig. 3**

- Series 451 Interconnect header strips come in three lengths with .018" dia. pluggable solder tails at one end and .025" dia. pins at the other, see series:  
 451...003 uses pin #5503  
 451...004 uses pin #5504  
 451...005 uses pin #5505
- .018" pluggable solder tails are available at both ends, please see series:  
 451...009 uses pin #5509  
 451...010 uses pin #5510  
 451...011 uses pin #5511  
 See pages 170 & 172 for details.
- Insulators are high temp. thermoplastic.



### Ordering Information

<b>Fig. 1</b>	<b>Series 451...003</b> <b>.018 / .025 Solder Tails</b>
	451-XX-2_ _-00-003000 Specify # of pins      L → 02-64
<b>Fig. 2</b>	<b>Series 451...009</b> <b>.018 / .018 Solder Tails</b>
	451-XX-2_ _-00-009000 Specify # of pins      L → 02-64
<b>Fig. 3</b>	<b>Series 451...004</b> <b>.018 / .025 Solder Tails</b>
	451-XX-2_ _-00-004000 Specify # of pins      L → 02-64
<b>Fig. 3</b>	<b>Series 451...010</b> <b>.018 / .018 Solder Tails</b>
	451-XX-2_ _-00-010000 Specify # of pins      L → 02-64
<b>Fig. 3</b>	<b>Series 451...005</b> <b>.018 / .025 Solder Tails</b>
	451-XX-2_ _-00-005000 Specify # of pins      L → 02-64
<b>Fig. 3</b>	<b>Series 451...011</b> <b>.018 / .018 Solder Tails</b>
	451-XX-2_ _-00-011000 Specify # of pins      L → 02-64



**XX= Plating Code**  
See Below

For RoHS compliance select plating code.

SPECIFY PLATING CODE XX=	<b>10</b>	<b>90</b>	<b>40</b>	
Pin Plating	10μ" Au	200μ" Sn/Pb	200μ" Sn	