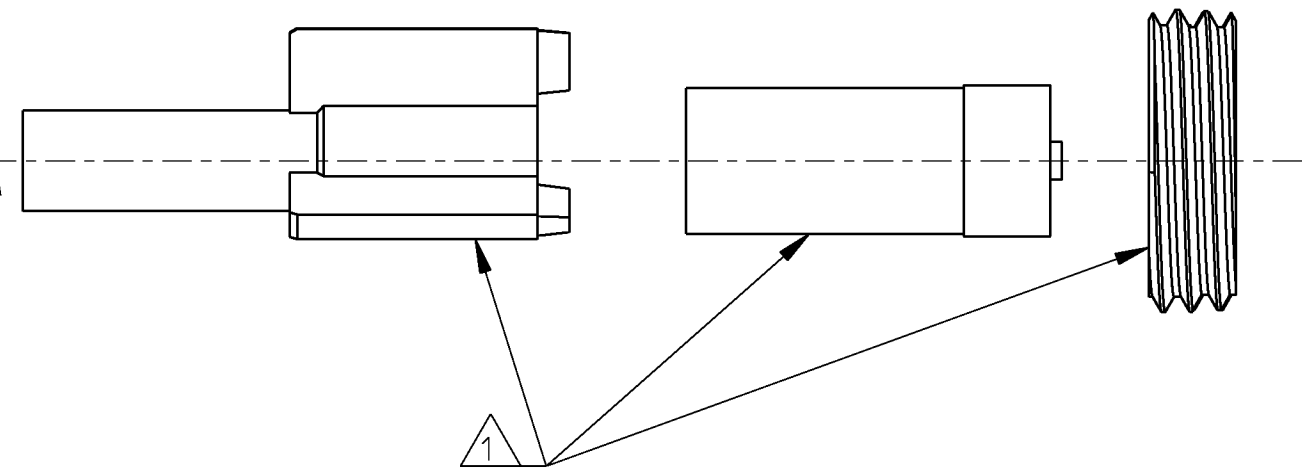
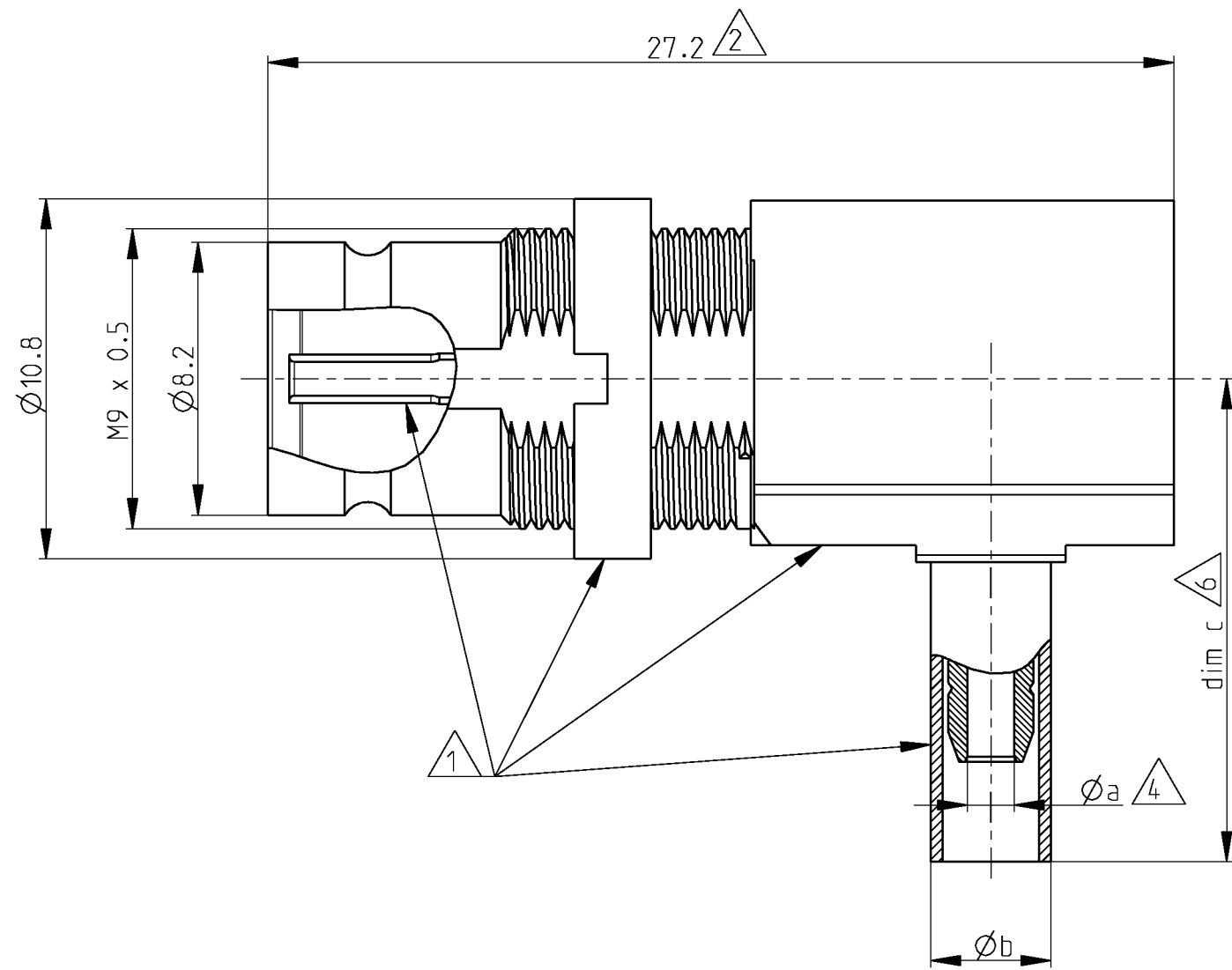


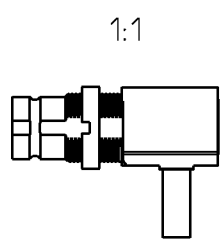
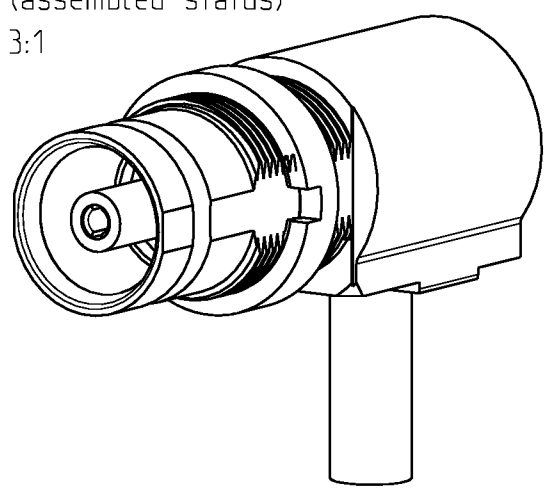
THIS DRAWING IS UNPUBLISHED. RELEASED FOR PUBLICATION 2000
 © COPYRIGHT 2000 BY TYCO ELECTRONICS CORPORATION. ALL RIGHTS RESERVED.

LOC	DIST	REVISIONS			
P	LTR	DESCRIPTION	DATE	DWN	APVD
GW	-	A	-	05APR2001	BL KM
		A1	extra PN added	01AUG2001	BL KM
		A2	extra PN added + dim c corrected + pack. info	27JUN2003	FH RL
		A3	extra PN added	05MAR2004	FH RL



- △6 Maximum, as delivered.
- 5) Mating face according to DIN 47295/CECC 22240.
- △4 Minimum dimension.
- 3) All dimensions are maximum unless otherwise specified.
- △2 Maximum dimension when fully assembled.
- △1 Supplied as loose part.

3D VIEW
(assembled status)
3:1



<small>THIS DRAWING IS A CONTROLLED DOCUMENT FOR TYCO ELECTRONICS CORPORATION IT IS SUBJECT TO CHANGE AND THE CONTROLLING ENGINEERING ORGANIZATION SHOULD BE CONTACTED FOR THE LATEST REVISION.</small>		DWN 02MAR2001 B. Lenvain		tyco Tyco Electronics Electronics Oostkamp - Belgium	
DIMENSIONS: mm		TOLERANCES UNLESS OTHERWISE SPECIFIED: 0 PLC ± 1 PLC ± 2 PLC ± 3 PLC ± 4 PLC ± ANGLES ±		NAME Right angle bulkhead cable jack 1.6/5.6 (75 ohm)	
MATERIAL see table		FINISH see table		PRODUCT SPEC - APPLICATION SPEC 114-71024 WEIGHT -	
		CUSTOMER DRAWING		SIZE A3 CAGE CODE 00779 DRAWING NO. C-3-1393680-0	RESTRICTED TO - SCALE 5/1 SHEET 1 OF 2 REV A3

THIS DRAWING IS UNPUBLISHED. RELEASED FOR PUBLICATION 2000
 © COPYRIGHT 2000 BY TYCO ELECTRONICS CORPORATION. ALL RIGHTS RESERVED.

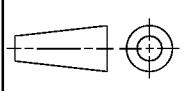
LOC	DIST	REVISIONS			
P	LTR	DESCRIPTION	DATE	DWN	APVD
	-	SEE SHEET 1	-	-	-


CROSS REFERENCE TABLE

Old part number	Tyco part number	Description	Material	Plating	Øa	Øb	dim c	Cable type
V23612-A802-G41	3-1393680-0 7	Outer conductor	Brass	1 µm Au min in contact area	1.7	3.6	15	RG 179 B/U
		Center conductor	CuBe/Brass	1 µm Au min in contact area				
		Dielectric	PEEK/PC	-				
V23612-A802-G62	3-1393680-5 7	Outer conductor	Brass	1 µm Au min in contact area	2.15	5.2	15	02XCS(mS) C6Y 0.45/2.0
		Center conductor	CuBe/Brass	1 µm Au min in contact area				
		Dielectric	PEEK/PC	-				
V23612-A802-G45	3-1393680-2 7	Outer conductor	Brass	1 µm Au min in contact area	2.55	6.2	15	02YCCY 0.4/2.5 LYC (mS) CY0.4/2.5
		Center conductor	CuBe/Brass	1 µm Au min in contact area				
		Dielectric	PEEK/PC	-				
V23612-A802-G76	3-1393680-7 7	Outer conductor	Brass	1 µm Au min in contact area	2.15	5.2	15	02YS(St) CY 0.45/2.0
		Center conductor	CuBe/Brass	1 µm Au min in contact area				
		Dielectric	PEEK/PC	-				
V23612-A802-G76A	3-1393680-8 8	Outer conductor	Brass	1 µm Au min in contact area	2.15	5.2	15	02YS(St) CY 0.45/2.0
		Center conductor	CuBe/Brass	1 µm Au min in contact area				
		Dielectric	PEEK/PC	-				
-	1460042-1 9	Outer conductor	Brass	1 µm Au min in contact area	2.15	5.2	15	02YS(St)CY 0.45/2.0
		Center conductor	CuBe/Brass	1 µm Au min in contact area				
		Dielectric	PEEK/PC	-				
V23612-A802-G73	4-1393682-3 7	Outer conductor	Brass	1 µm Au min in contact area	1.7	4.3	15	02XSC(St) 6Y 0.37/1.6
		Center conductor	CuBe/Brass	1 µm Au min in contact area				
		Dielectric	PEEK/PC	-				
-	1460128-1 8	Outer conductor	Brass	1 µm Au min in contact area	1.35	3.8	15	02YS(St) CHH 0.25/1.2 0.25/1.3 HF 75 0.25/1.15
		Center conductor	CuBe/Brass	1 µm Au min in contact area				
		Dielectric	PEEK/PC	-				
-	1460169-1 7 10	Outer conductor	Brass	1 µm Au min in contact area	1.35	3.8	15	02YS(St) CHH 0.25/1.2 0.25/1.3 HF 75 0.25/1.15
		Center conductor	CuBe/Brass	1 µm Au min in contact area				
		Dielectric	PEEK/PC	-				

- 7 Individual packaging
- 8 Tray packaging
- 9 Bulk packaging
- 10 Supplied with shrink sleeve 7-1196879-5, 25mm long.

THIS DRAWING IS A CONTROLLED DOCUMENT FOR TYCO ELECTRONICS CORPORATION
 IT IS SUBJECT TO CHANGE AND THE CONTROLLING ENGINEERING ORGANIZATION
 SHOULD BE CONTACTED FOR THE LATEST REVISION.

DIMENSIONS: mm	TOLERANCES UNLESS OTHERWISE SPECIFIED:
	0 PLC ± 1 PLC ± 2 PLC ± 3 PLC ± 4 PLC ± ANGLES ±
MATERIAL see table	FINISH see table

DWN B. Lenvain 02MAR2001	 Tyco Electronics Oostkamp - Belgium
CHK K. Mattheeuws 05APR2001	
APVD R. Leeman 05APR2001	
PRODUCT SPEC -	
APPLICATION SPEC 114-71024	NAME Right angle bulkhead cable jack 1.6/5.6 (75 ohm)
WEIGHT -	SIZE A3
CUSTOMER DRAWING	CAGE CODE 00779
	DRAWING NO 3-1393680-0
	RESTRICTED TO -
	SCALE 5/1
	SHEET 2 OF 2
	REV A3