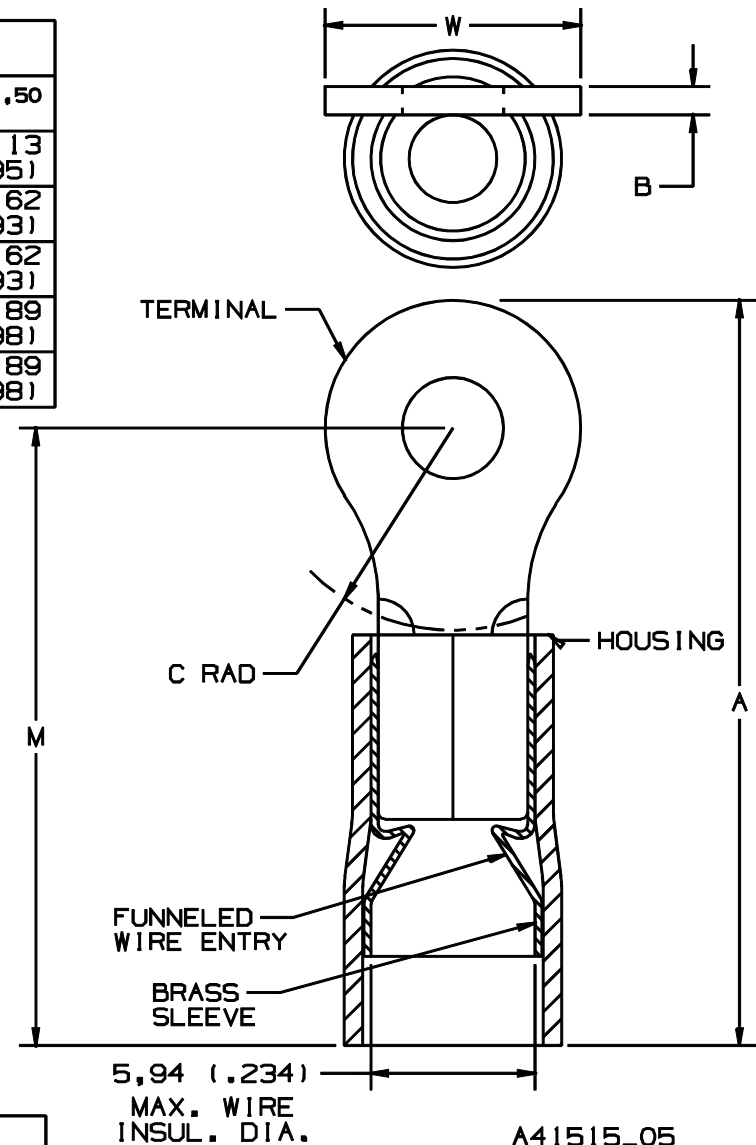


THIS COPY IS PROVIDED ON A RESTRICTED BASIS AND IS NOT TO BE USED IN ANY WAY DETRIMENTAL TO THE INTERESTS OF PANDUIT CORP.

PART NUMBER		STUD SIZE	WIRE RANGE mm <sup>2</sup>	DIMENSIONS mm				
PREFIX	PK			A <sup>±.50</sup>	W <sup>±.25</sup>	C <sup>±.38</sup>	B <sup>±.25</sup>	M <sup>±.50</sup>
PMNF6-3R	-L -D	M3	*2,5-6,0 (12-10)	26,67 (1.05)	5,84 (.23)	9,14 (.36)	1,02 (.04)	24,13 (.95)
PMNF6-4R	-L -D	M4	*2,5-6,0 (12-10)	27,43 (1.08)	7,87 (.31)	9,14 (.36)	1,02 (.04)	23,62 (.93)
PMNF6-5R	-L -D	M5	*2,5-6,0 (12-10)	28,45 (1.12)	9,65 (.38)	9,14 (.36)	1,02 (.04)	23,62 (.93)
PMNF6-6R	-L -D	M6	*2,5-6,0 (12-10)	30,23 (1.19)	10,92 (.43)	10,92 (.43)	1,02 (.04)	24,89 (.98)
PMNF6-8R	-L -D	M8	*2,5-6,0 (12-10)	31,50 (1.24)	13,21 (.52)	10,92 (.43)	1,02 (.04)	24,89 (.98)

NOTES:

- USED FOR:
  - A. 600V MAX. VOLTAGE RATING
  - B. 105°C (221°F) MAX. TEMP. RATING
  - C. SOLID & STRANDED COPPER WIRE
  - \*D. WIRE RANGE: 4,0-6,0mm<sup>2</sup> FOR CT-1551M
- PACKAGE QTY:
  - A. STD: L=50
  - B. BULK: D=500
- MATERIAL:
  - A. STAMPING: ETP 110 COPPER, TIN PLATED
  - B. HOUSING: TYPE 6/6 NYLON, YELLOW
- WIRE STRIP LENGTH: 7,1 <sup>+8</sup>/<sub>-0</sub> (9/32 <sup>+1/32</sup>/<sub>-0</sub>)
- INSTALLATION TOOLS: REF. DWGS. A41522, A41523, A41524, A41525
- DIMENSIONS IN BRACKETS ARE IN INCHES OR AWG



REV	DATE	BY	CHK	DESCRIPTION	ECN #	CUST	PM
05	10/97	TM		CHANGED DECIMAL POINTS TO COMMAS			
04	2/97	JKD	SKB	ADDED CT-1551M TO NOTES	05705	LA	DBH
03	9/96	JB	RLS	UPDATE DIMENSIONS	05055	LA	DBH

**PANDUIT** CORP

TINLEY PARK, ILLINOIS

2,5-6,0 mm<sup>2</sup> METRIC NYLON INSULATED,  
FUNNELED ENTRY RING TERMINAL

DRAWN BY BDK    Ck'D LM    SCALE NONE    DRAWING NO. A41515