

MICROWAVE COMPONENTS

30 to
200MHz

Microwave Coil Components (Relay Header)

CL 360

◆ GENERAL FEATURES

The MC-200R Series Microwave Coil Component (with relay header) is a 2.54-mm (.1") pitch compact device for distributing and synthesizing IF band signals having 0° and 90° phase shift. It has 50-ohm impedance characteristics. The metal case packaging

(relay header type) is sealed to assure the highest reliability over long periods. A Teflon (TR) sheet is also provided to prevent soldering flux problems and permits double-sided pattern surfaces to be used.

◆ OPERATIONAL ENVIRONMENT^{NT}

Operating temperature; -10°C~+65°C

Humidity; 0~95%

◆ TEST ENVIRONMENT

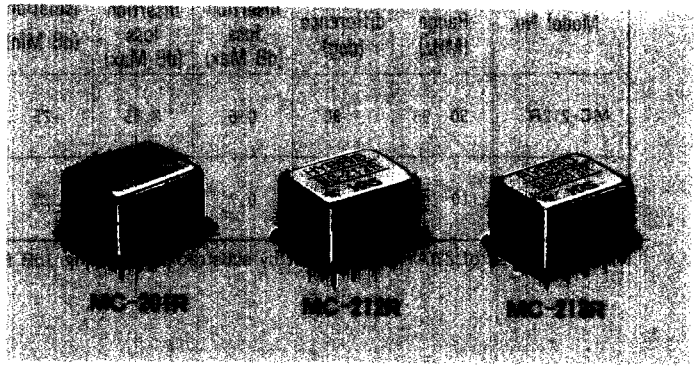
Vibration resistance; 10~55Hz

Total amplitude; 1.5mm 55~2000Hz 98m/s²

Temperature resistance; -35°C~+80°C

Impulse resistance; 294m/s²

Testing Method per MIL-STD-202



◆ MATERIAL FINISH

Part name	Material	Finish
Body	Iron	Nickel plated
Contact	Iron-Nickel alloy	Solder dip
Hermetic seal	Glass	

◆ MODEL No.

MC - 2 0 1 R

Indicate configuration of case.

Ex. R Relay Header

Indicate count No.

Indicate synthesizing Ex. 0 0 deg.

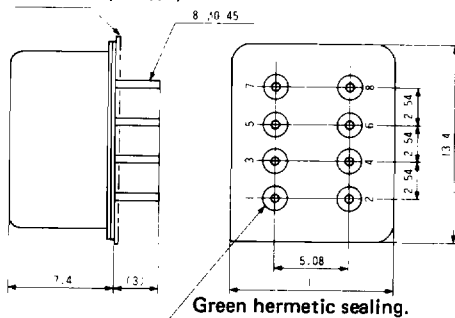
1 90 deg.

No. of distributing.

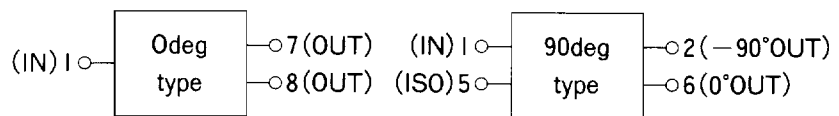
Indicate microwave coil component.

◆ DIMENSIONS

Teflon sheet (t = 0.2)



◆ SCHEMATIC



Numbers of 2, 3, 4, 5, and 6 are to the ground

Numbers of 3, 4, 7, and 8 are to the ground

MICROWAVE COMPONENTS

◆ SPECIFICATIONS

2WAY 0deg type (POWER COMBINERS AND SPLITTERS)

Model No.	Frequency Range (MHz)	Phase difference (deg)	Above 3dB insertion loss (dB Max)	True insertion loss (dB Max)	Isolation (dB Min)	VSWR (Max)	Balance		Impedance (Ω)	Weight (g)
							Phase (deg)	Amplitude (dB)		
MC-201R	30 ~ 200	0	0.6	3.6	25	1.3	± 3	± 0.1	50	3

2WAY 90deg type (POWER COMBINERS AND SPLITTERS)

Model No.	Frequency Range (MHz)	Phase difference (deg)	Above 3dB insertion loss (dB Max)	True insertion loss (dB Max)	Isolation (dB Min)	VSWR (Max)	Balance		Impedance (Ω)	Weight (g)
							Phase (deg)	Amplitude (dB)		
MC-212R	50 ~ 95	-90	0.6	3.85	25	1.2	± 3	± 0.5	50	3
MC-213R	110 ~ 170	-90	0.7	3.85	25	1.2	± 3	± 0.5	50	3

*Insertion Loss of 2WAY 90deg is got by subtracting Coupling 3dB from the average Output of 0 port~90 port.

◆ (Typical) DATA

