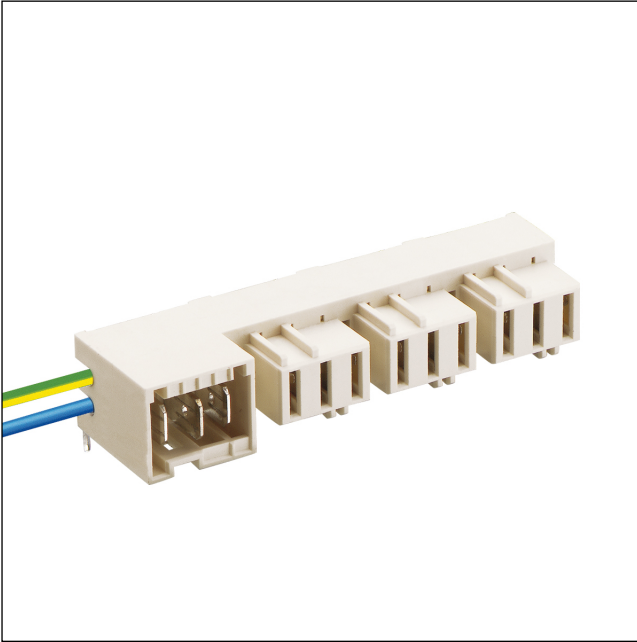


36

3683

RAST 5 connectors, pitch 5.0 mm

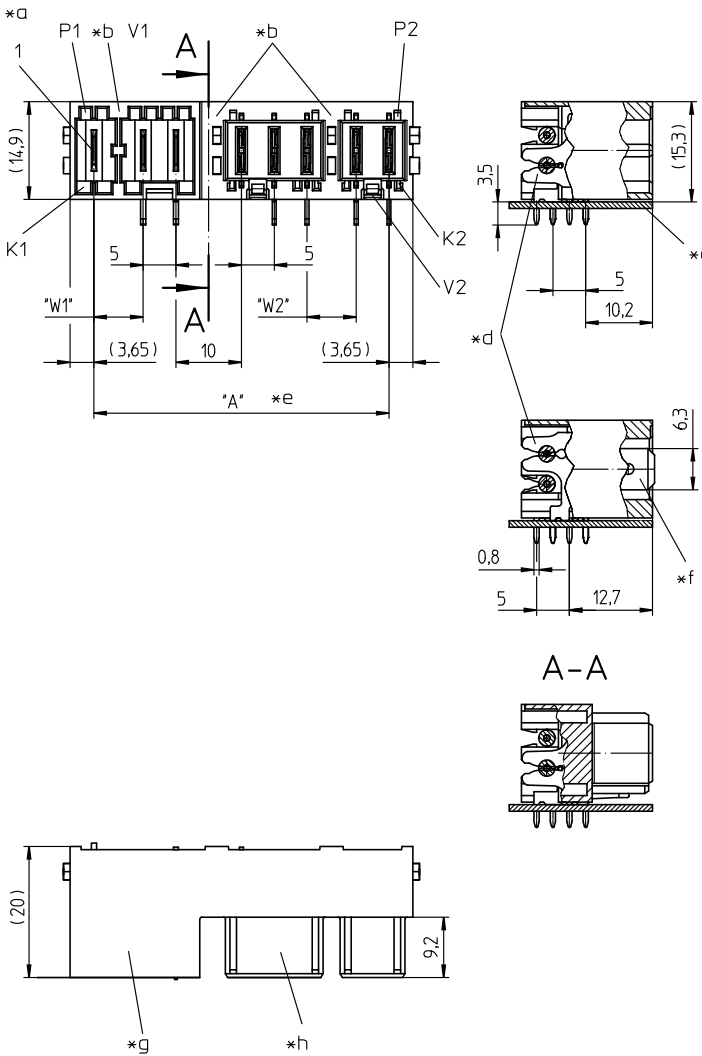


Combined RAST 5 tab and socket board, angular, free to configure with partitions and neutral and/or protective conductor bridge in insulation displacement technology (IDT)

---

Approvals:





**Environmental conditions**

Temperature range -40 °C/+120 °C<sup>1</sup>

<sup>1</sup> upper limit temperature (insulating body) RTI (electric) according to UL Yellow Card

**Materials**

Insulating body	PA GF, V-0 according to UL94 <sup>1</sup>
Contact spring	CuSn, tin-plated
Contact tab with insulation displacement terminal	CuSn, pre-nickel and tin-plated
Contact tab without insulation displacement terminal	CuZn, pre-nickel and tin-plated

<sup>1</sup> component glow wire resistant (GWT 750 °C), testing acc. to IEC 60695-2-11, assessment acc. to IEC 60335-1 (flame < 2 s)

**Mechanical data**

Contact tab	6.3 x 0.8 mm according to DIN 46244
Bridge conductor	stranded wire LiY 0.75 mm <sup>2</sup>
Insertion force/contact	≤ 4,0 N
Withdrawal force/contact	≥ 1,0 N

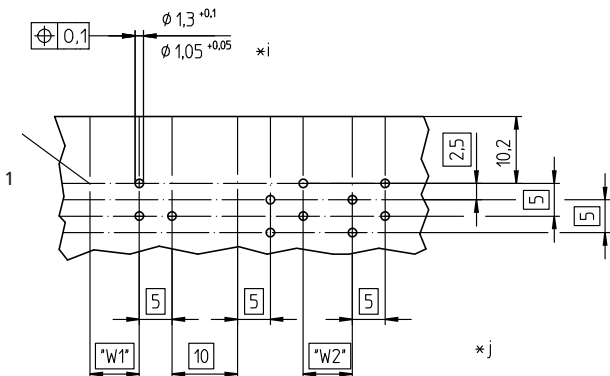
**Electrical data (at T<sub>amb</sub> 20 °C)**

Contact resistance	≤ 5 mΩ
Rated current	10 A (T <sub>amb</sub> 70 °C, VDE/ULus) 7 A (T <sub>amb</sub> 70 °C, cUL)
Rated voltage	250 V AC (VDE/cULus)
Material group	IIIa (IEC)/2 (UL) (CTI ≥ 250)
Creepage distance	4,2 mm
Clearance	4,2 mm
Insulation resistance	> 10 GΩ

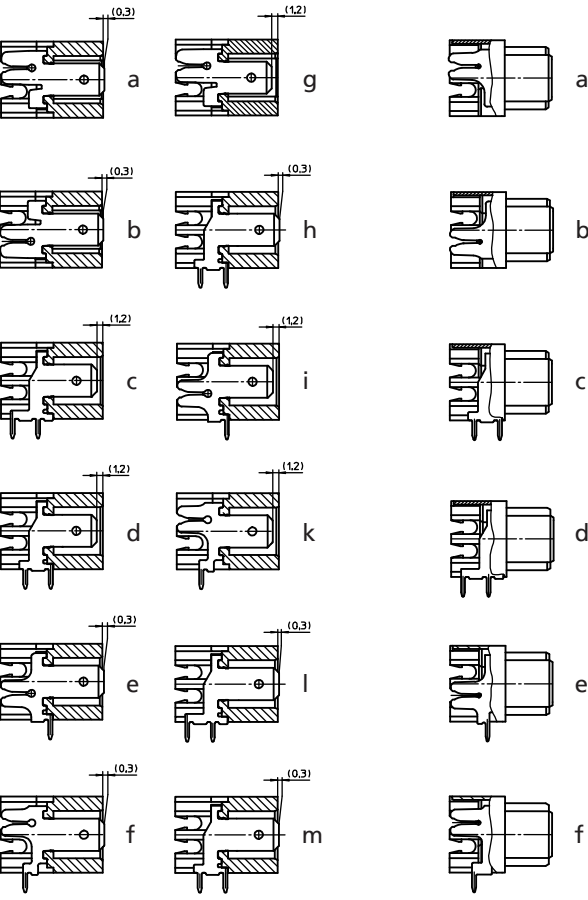
**Associated products**

Counterparts

☞ 3611	☞ 3615	☞ 3615-1
☞ 3615-2	☞ 3615-3	☞ 3618
☞ 3618-1	☞ 3618-2	☞ 3618-3
☞ 361899	☞ 361899-1	☞ 361899-2
☞ 361899-3	☞ 3623	☞ 3623 01 V01
☞ 3626	☞ 3647	



types of tab contacts – and types of socket contacts



- 
- \*a K = keying  
P = positioning  
V = lock/space for lock
  - \*b partition, space for frames of counterparts
  - \*c printed circuit board
  - \*d insulation displacement contacts with neutral/protective conductor bridges
  - \*e  $A = (P - 1) \times 5 + (W - 5) \times Y$ , max. 135 mm with one-piece insulating body  
P = poles  
W1 = 7.5 mm/10.0 mm  
W2 = 7.5 mm/12.5 mm/15.0 mm  
Y = number of partitions (at least 1 partition every 12 contacts)
  - \*f pre-mating protective contact, protruding 1.5 mm, possible at any position
  - \*g tab header
  - \*h socket board
  - \*i bore hole diameter 1.05 mm for press-fit of solder pins in printed circuit board
  - \*j example for printed circuit board layout, solder side view

Designation	Pole Number	PU (Pieces)	MDQ (Pieces)
3683 02	2		200
3683 03	3		200
3683 04	4		200
3683 05	5		200
3683 06	6		200
3683 07	7		200
3683 08	8		200
3683 09	9		200
3683 10	10		200
3683 11	11		200
3683 12	12		200
3683 13	13		200
3683 14	14		200
3683 15	15		200
3683 16	16		200
3683 17	17		200
3683 18	18		200
3683 19	19		200
3683 20	20		200
3683 21	21		200
3683 22	22		200
3683 23	23		200
3683 24	24		200
3683 25	25		200
3683 26	26		200
3683 27	27		200

Designation to be completed by further details (e.g. for keying, color or material options).

**Packaging:**

in a cardboard box