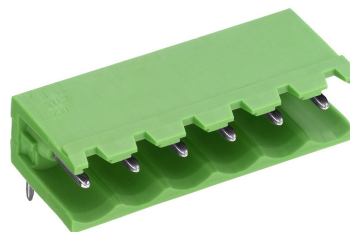


# STL950/..-5.0-H-GREEN



### Technical Data

Wire Sizes	Insulating Material
Solid min -	Material PA 6.6
solid max -	Flammability Class UL 94 V-0
Stranded (flexible) -	<b>Temperatures</b>
min	Operating Temperature -30 °C - 105 °C
Stranded (flexible) -	<b>Wave Soldering Process</b>
max	Soldering Temperature, recommended 265 °C
Stranded with Ferrule -	Peak Soldering Time, recommended 3-4 s
min	<b>Reflow Process</b>
Stranded with Ferrule -	Soldering Temperature, recommended -
max	Peak Soldering Time, recommended -
<b>Dimensions</b>	
Stripped Length	
PCB Hole Diameter 1.4 mm	
<b>Materials</b>	
Contact Pin Copper Alloy	

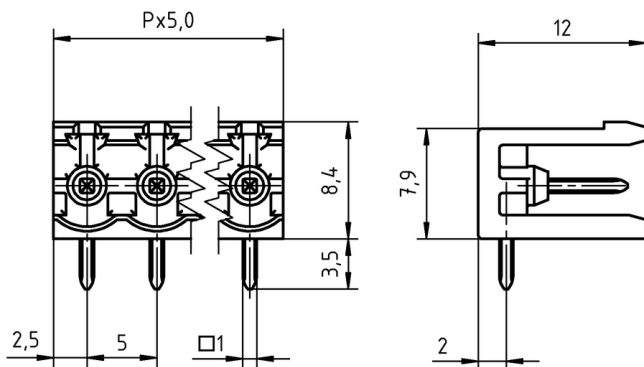
### Colours

GREEN	RAL6018	
BLACK	RAL9011	
BASALT GREY	RAL7012	
PEBBLE GREY	RAL7032	
LIGHT GREY	RAL7035	
LIGHT GREEN	similar RAL 6018	

Colours according to RAL, there may be variations on colour due to production conditions. Special colours on request.

### Counterparts (Spacing 5.0 mm)

Pin Strip/Terminal Blocks				
AK950	AK955	AK4951	AK3950	AK1100



### Order Data (Spacing 5.0 mm)

Poles	Width (mm)	Article Designation	Article Number	PU
2	10.00	STL950/2-5.0-H-GREEN	50950025011F	200
3	15.00	STL950/3-5.0-H-GREEN	50950035011F	200
4	20.00	STL950/4-5.0-H-GREEN	50950045011F	200
5	25.00	STL950/5-5.0-H-GREEN	50950055011E	100
6	30.00	STL950/6-5.0-H-GREEN	50950065011E	100
7	35.00	STL950/7-5.0-H-GREEN	50950075011E	100
8	40.00	STL950/8-5.0-H-GREEN	50950085011D	50
9	45.00	STL950/9-5.0-H-GREEN	50950095011D	50
10	50.00	STL950/10-5.0-H-GREEN	50950105011D	50
11	55.00	STL950/11-5.0-H-GREEN	50950115011D	50
12	60.00	STL950/12-5.0-H-GREEN	50950125011D	50
13	65.00	STL950/13-5.0-H-GREEN	50950135011D	50
14	70.00	STL950/14-5.0-H-GREEN	50950145011D	50
15	75.00	STL950/15-5.0-H-GREEN	50950155011D	50
16	80.00	STL950/16-5.0-H-GREEN	50950165011D	50
17	85.00	STL950/17-5.0-H-GREEN	50950175011D	50
18	90.00	STL950/18-5.0-H-GREEN	50950185011D	50
19	95.00	STL950/19-5.0-H-GREEN	50950195011D	50
20	100.00	STL950/20-5.0-H-GREEN	50950205011D	50
21	105.00	STL950/21-5.0-H-GREEN	50950215011D	50
22	110.00	STL950/22-5.0-H-GREEN	50950225011D	50
23	115.00	STL950/23-5.0-H-GREEN	50950235011D	50
24	120.00	STL950/24-5.0-H-GREEN	50950245011D	50

### Accessories

Figure	Designation	Article Number
	Coding star CS2-5.0/5.08-RED	50000000024
	Dividing element SE-STL950-GREEN	50950000002

### Ratings



Usegroup	B	C	D	
Rated Voltage	300 V	150 V	300 V	250 V
Rated Current	15 A	15 A	10 A	12 A
Overtoltage Category				III
Test Voltage	1.6 kV	1.6 kV	1.6 kV	4.0 kV
Pollution Degree				3