

ADSL-Transformer WSL-A32.337

Specifications



Application
Generic

Features

Optimized magnetic shielding for low interference
High performance, high quality design
SMT and THT package available

Packaging

100 pcs./tray
7 trays/carton

Solderability

270 - 300°C


Isolation voltage

1875 VAC

Operation Temperature Range

-40°C to +85°C

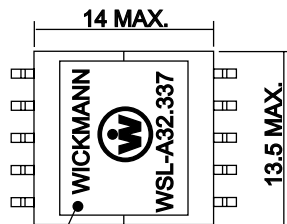
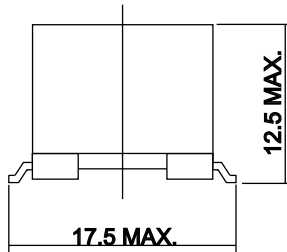
Marking

 article-no.

Unit Weight

6g

Schematics & Mechanicals (mm)



BLACK DOT IS PIN NO.1

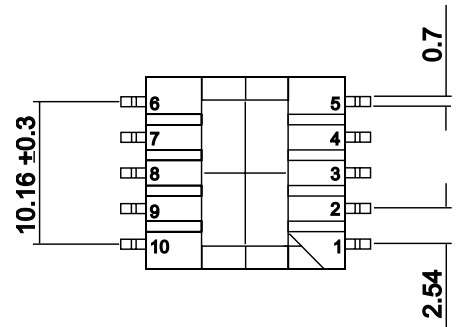
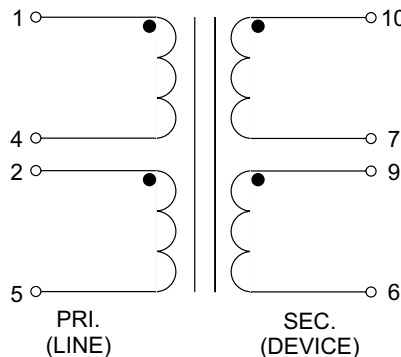
WebLinks

Data Sheet

www.wickmann.com/products/WSL_A32337.pdf

Packaging

www.wickmann.com/pack



| | |
|----------------------------------|--|
| DC Resistance: | 0,39 Ω (1-4) max. ±10% |
| | 0,39 Ω (2-5) max. ±10% |
| | 0,33 Ω (10-7) max. ±10% |
| | 0,33 Ω (9-6) max. ±10% |
| Open Circuit Inductance: | 407,5μH ±5% @ 10kHz, 100mVAC on series, (1-5), short (2+4) |
| Turns Ratio: | 1:1 ±1% (10-6):(1-5) |
| Leakage Inductance: | 10,0μH max. 10kHz, 100mVAC, (1-5), short (2+4, 7+9, 6+10) |
| Longitudinal Balance: | - |
| Interwinding Capacity: | - |
| Reflects 100Ω @ R _L = | - |
| Insertion Loss: | - |
| Total Harmonic Distortion (THD): | - |

Order Information

| Qty. | Order Number |
|------|----------------|
| | 960 4 632337 9 |