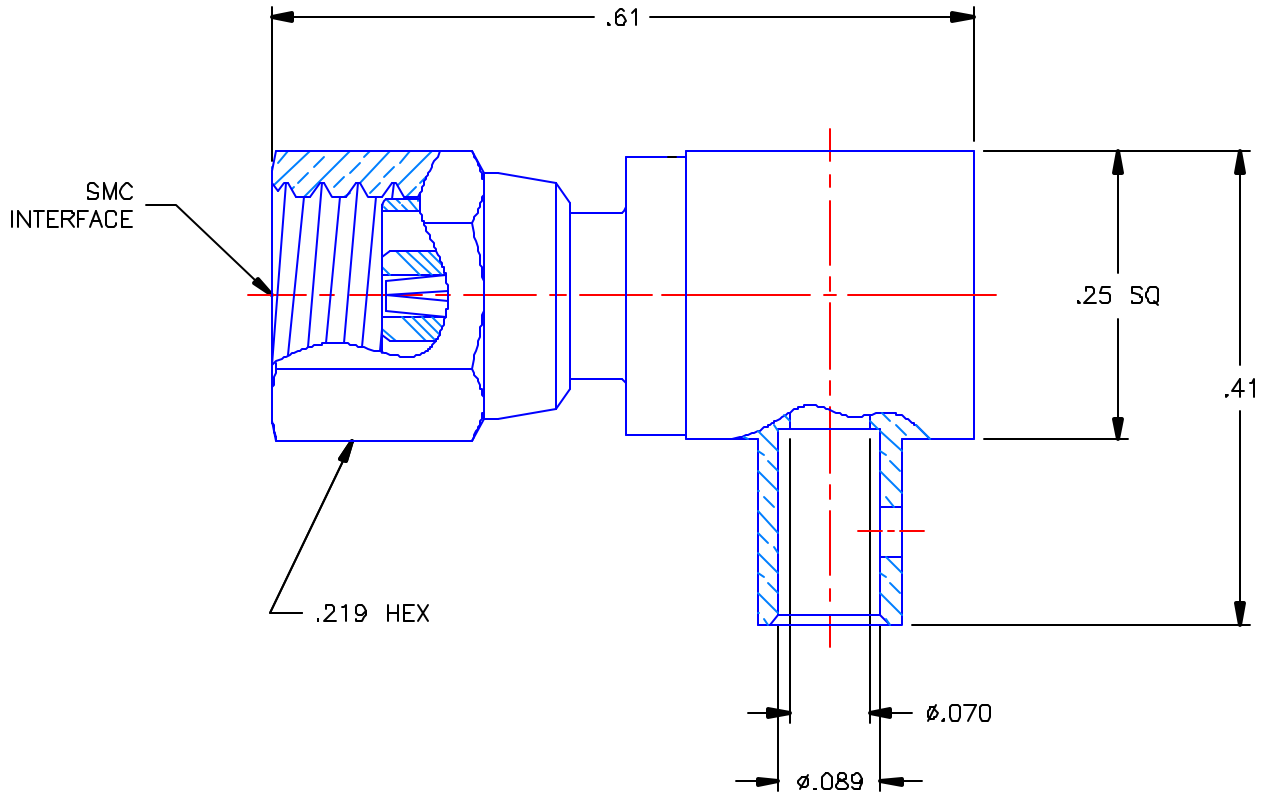


PROPRIETARY INFORMATION  
 NOT TO BE RELEASED  
 WITHOUT WRITTEN PERMISSION  
 FROM AN AUTHORIZED  
 REPRESENTATIVE OF  
 APPLIED ENGINEERING PRODUCTS

REVISIONS			
REV	DESCRIPTION	DATE	APPROVED
A	ECO #5024	06/11/03	K.D.




**NOTES:**

**MATERIALS:**

- BODIES, CAP & COUPLING NUT = BRASS PER ASTM B16, ALLOY C36000, TEMPER H02.
- INSULATORS = VIRGIN WHITE TEFLON PER ASTM D1710, GRADE 1, TYPE I, CLASS "B".
- CONTACT = BERYLLIUM COPPER PER ASTM B196, ALLOY C17300, TEMPER TD04.

**FINISHES:**

- BODIES, CAP & COUPLING NUT = GOLD PLATE PER MIL-G-45204, TYPE II, CLASS 0, GRADE C, OVER .00010 TO .00020 COPPER STRIKE PER MIL-C-14550.
- CONTACT = GOLD PLATE PER MIL-G-45204, TYPE II, CLASS 1, GRADE C, OVER .00010 TO .00020 STRESS FREE SULFAMATE NICKEL PER QQ-N-290.

UNLESS OTHERWISE SPECIFIED DIMENSIONS ARE IN INCHES TOLERANCES ON	DWN: K.D.	DATE: 06/11/03	 <b>APPLIED ENGINEERING PRODUCTS</b> 104 John W. Murphy Dr. New Haven, CT 06513
	CHKD: D.N.	DATE: 06/12/03	
DECIMAL	ANGLE	APVD: D.J.C.	DATE: 06/12/03
REFERENCE:		MATERIALS & FINISHES:	SIZE: A FSCM NO.: 19505 DWG. NO.: 1005-1561-110 REV: A
ORIGINATOR: D.N. DATE: 02/22/88		SEE NOTES	SCALE: 6:1 SHEET 1 OF 1

1005-1561-110