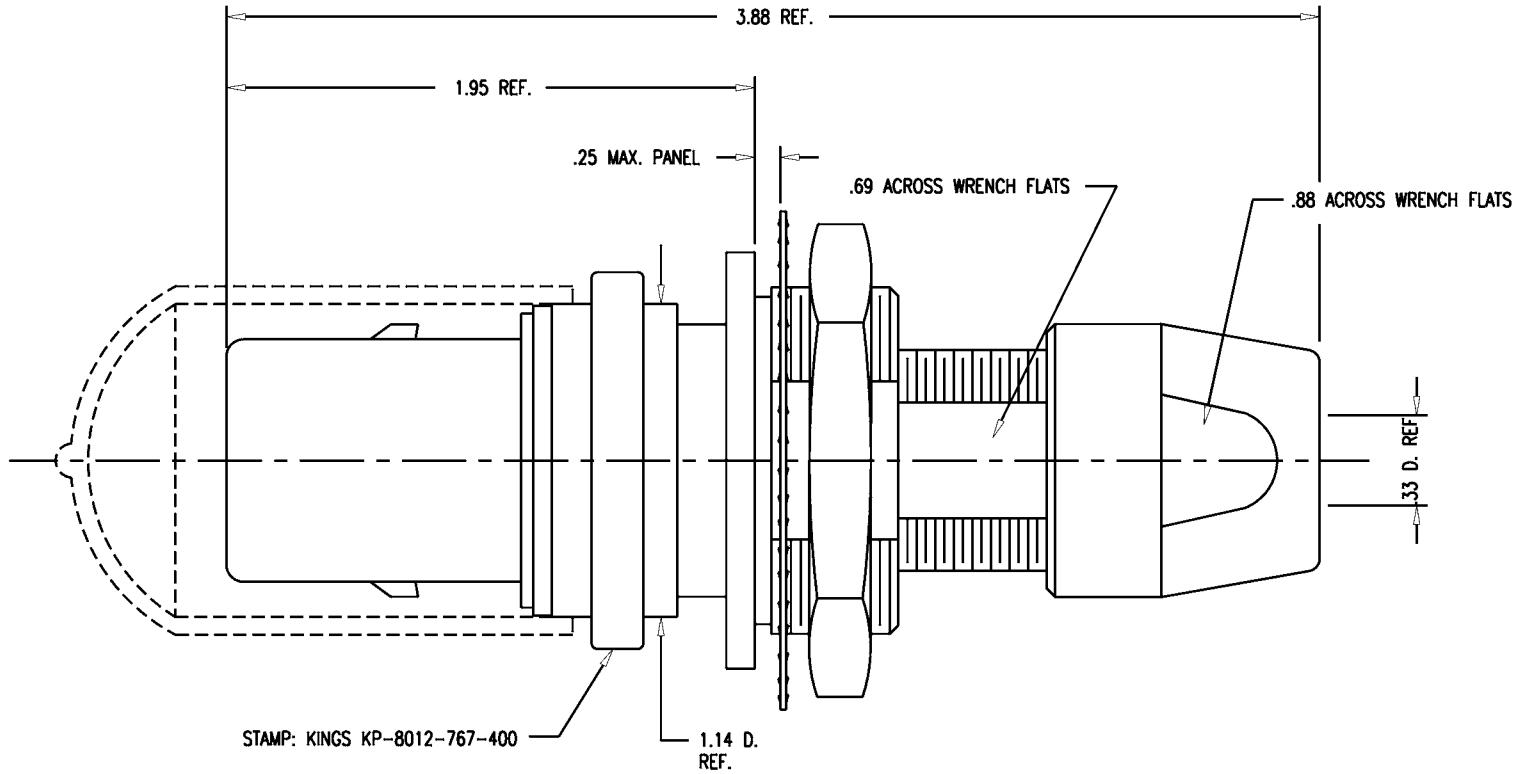


DASH NO.	M CODE	MADE FROM
----------	--------	-----------

GSD

KP-8012-767-400

REVISIONS	
ISSUE	CHANGES
0	ER 32846 JCA 02/07/91
1	CN 34218 E KH 10/28/92
2	CN 35776 E KH 02/24/95
3	CN 36750 C ME 01/11/96



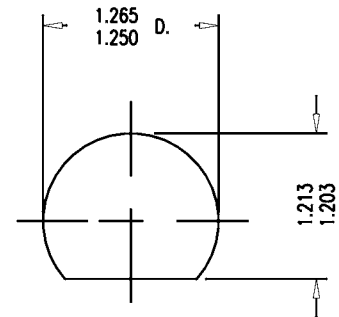
GSD

NOTES:

1. FOR USE WITH 760 CABLE GROUP.
2. FOR CABLING INSTRUCTIONS SEE KAI-8010.
3. FOR CRIMPING USE DIE SIZE KTH-2002.
4. MATERIALS:

INSULATORS: TEFLON, ASTM-D-4894
 LOCKWASHER: SPRING STEEL, PER ASTM-A682
 CONDUCTIVE GASKET: CONSIL C 87-10004, 60-70 DUROMETER
 GASKETS: SILICONE RUBBER, ZZ-R-765
 CAP: VINYL
 K-GRIP SLEEVE: COM'L BRONZE, ASTM-B-140
 OUTER CONTACT: PHOSPHOR BRONZE, ASTM-B-103
 BODY: BER. COPPER, ASTM-B-196
 ALL OTHER METAL PARTS: BRASS, ASTM-B16

5. FINISHES:
 CENTER CONTACT: GOLD PLATE PER MIL-G-45204
 LOCKWASHER
 NUTS
 COLLET
 OUTER BODIES
 BODY RING
 ALL OTHER METAL PARTS: SILVER PLATE PER QQ-S-365
 KINGS TARNISH RESISTANT NICKEL FINISH (TR-5)
6. ELECTRICAL CHARACTERISTICS:
 NOMINAL IMPEDANCE: 75 Ω
 FREQUENCY RANGE: DC-500 MHZ
 VOLTAGE BREAKDOWN: CENTER CONDUCTOR/INNER GROUND: 1500 VRMS
 INNER GROUND/OUTER GROUND: 500 VRMS



MOUNTING HOLE

SCALE 2:1	
APPROX SURFACE AREA	
USED ON	
REF: 7702-3	
PL, BKHD, TRI-LOC SERIAL DIGITAL	
DRAWN KH	DATE 04/17/95
DESIGN DW	DATE 04/18/95
APPR.	DATE
 ROCK HILL, SOUTH CAROLINA 29730	
KP-8012-767-400	