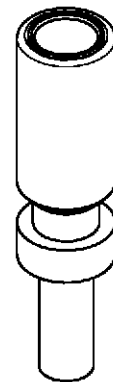
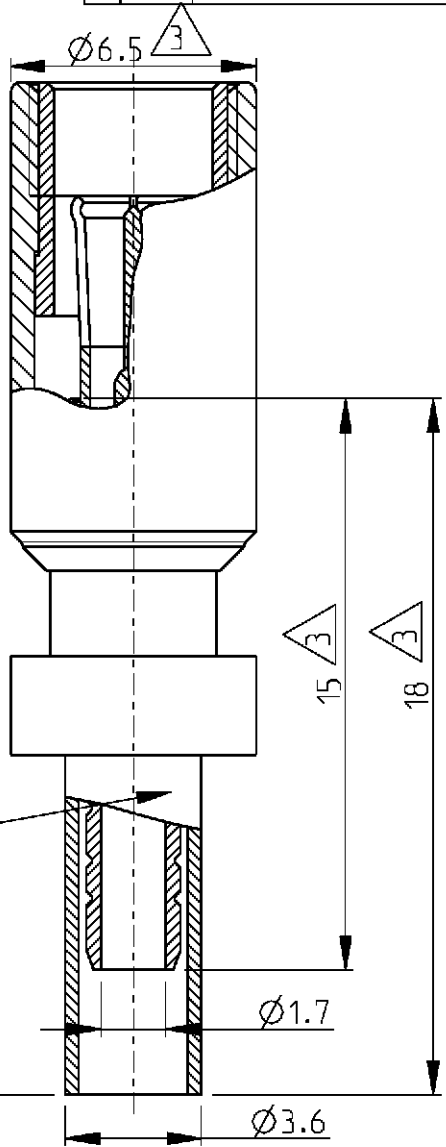
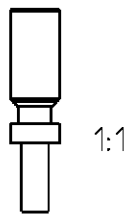


LOC	DIST	REVISIONS				
P	LTR	DESCRIPTION	DATE	DWN	APVD	
GW	-	A	-	05MAR2001	CM KM	



2:1

- 4 For cable RG 179 B/U
- 3 Max dimension
- 2 Mating face according to DIN 47297 and CECC 22230
- 1 Supplied as loose part



1:1

C42334-A285-A162	1393670-1	Dielectric	PTFE	
		Outer Con.	Cu Be	1µm Au min in contact area
		Center Con.	Brass	1µm Au min in contact area
Old Nr	Tyco Nr	Description	Material	Plating

2000  
 RELEASED FOR PUBLICATION  
 THIS DRAWING IS UNPUBLISHED.  
 COPYRIGHT 2000 BY TYCO ELECTRONICS CORPORATION. ALL RIGHTS RESERVED.

DIMENSIONS: mm TOLERANCES UNLESS OTHERWISE SPECIFIED: 0 PLC ± 1 PLC ±0.5 2 PLC ±0.13 3 PLC ±0.013 4 PLC ±0.0001 ANGLES ±	DWN MOROBE 08MAR2001 CHR MATTHEEUWS 08MAR2001 APVD BOZZER 5APR2001 PRODUCT SPEC 108-71032 APPLICATION SPEC - WEIGHT -	MATERIAL - FINISH - <b>tyco Electronics</b> Tyco Electronics Oostkamp - Belgium NAME Cable Plug 1.0/2.3 50 Ohm SIZE A4 CAGE CODE 00779 DRAWING NO C=1393670-1 RESTRICTED TO -
	SCALE 5/1 SHEET 1 OF 1 REV A	