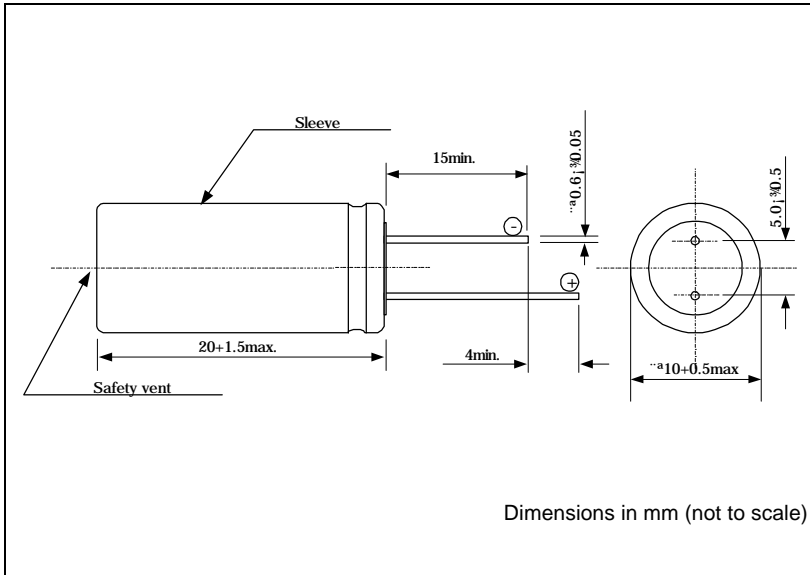


NESSCAP 5F/2.3V

ESLSR-0005C0-002R3

■ Features

- Cylindrical cell
- Radial lead terminals



■ Specifications

Rated Capacitance, C (DCC ⁽¹⁾ , 25°C)	5 Farads	(1) Discharging with constant current
Capacitance Tolerance	-10% / +20%	
Rated Voltage, V _R	2.3 V	
Surge Voltage	2.7 V	
Rated Current (25°C) ⁽²⁾	1.0 A	(2) 5 sec discharge rate to 1/2 V _R
Max. Current (25°C) ⁽³⁾	> 3.2 A	(3) 1 sec discharge rate to 1/2 V _R
Max. Stored Energy (at V _R)	13.2 J (0.0037 Wh)	
Specific Energy	Gravimetric	1.48 Wh/kg
	Volumetric	2.31 Wh/l
Specific Power ⁽⁴⁾ (at matched load)	Gravimetric	3.31 kW/kg
	Volumetric	5.17 kW/l
Maximum Internal Resistance (ESR)	AC (1kHz)	120 mW
	DC (0.5A)	160 mW
Dimensions	φ 10 x l 20 mm	
Volume	1.6 ml	
Weight	2.5 g	
Operating temperature range ⁽⁵⁾	-25 ~ 60 °C	(5) 1/2DC: 1/2 < 30% and ESR < 4 times of initially measured value at 25°C, respectively
Storage temperature range	-40 ~ 85 °C	
Max. Leakage Current, L _C (12h, 25°C)	750 mA	
Life Time at RT ⁽⁶⁾	10 years	(6) 1/2DC: 1/2 < 30% and ESR < 2 times of initially measured value, respectively and LC < specified value