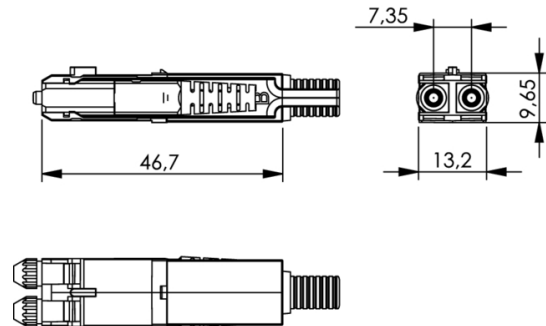
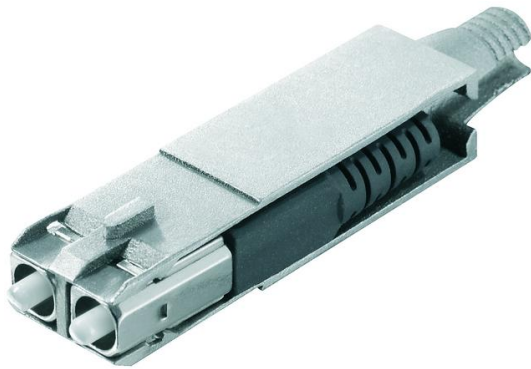


order number: F80083A0001

STX 2SC plug insert SM



Technical Attributes	
Description	STX FO plug insert
Connector type	2SC
Fiber type	Singlemode

Product description

Modern industrial and building wiring envisions linking the office network with the manufacturing network and its subordinate production cells and machinery. The applicable standard for this, ISO/IEC 24702 resp. EN 50173-1 and -3, are intended for situations with a high level of bidirectional traffic between the administration and manufacturing areas whereby realtime transmissions with high security, 100% availability and simultaneous high investment security must all be guaranteed. The increasing interconnection of machinery, equipment and measuring instruments in the production area using connectors already known from office wiring applications demands that these be adapted to the higher stresses presented by the contamination-prone, rough industrial environment. Aside from a variety of RJ45, IP67 M12 D- and X-coded connectors, Telegärtner therefore also offers designs for connecting glass and polymer fibres in order to meet this challenge.

Mechanical Characteristics	
Insertion force	≤ 30 N
Durability (mating cycles)	≥ 500
Material: plug retainer	PA 66
Material: plug	SC

Material: ferrule	Zirconia
Material: fixing part	
Material: crimp sleeve	Copper nickel-plated
Material: cable boot	TPE black
Material: dust cap	TPE
buffered optical fiber diameter	0.9 mm
Subcable diameter	2.5-3 mm
Overall cable diameter	5.0-8.0 mm

Electrical Characteristics	
Insertion loss	Singlemode: max. 0.5 dB; Multimode: max. 0.4 dB
Return loss	min. 30 dB

Standards	
Generic cabling systems	ISO/IEC 11801; EN 50173-1; ISO/IEC 24702; IEC 61918
Custom-designed cabling systems	PROFINET Installation Guideline
Connectors	similar to IEC 61754-24
Degrees of protection provided by enclosures (IP code)	IEC 60529