

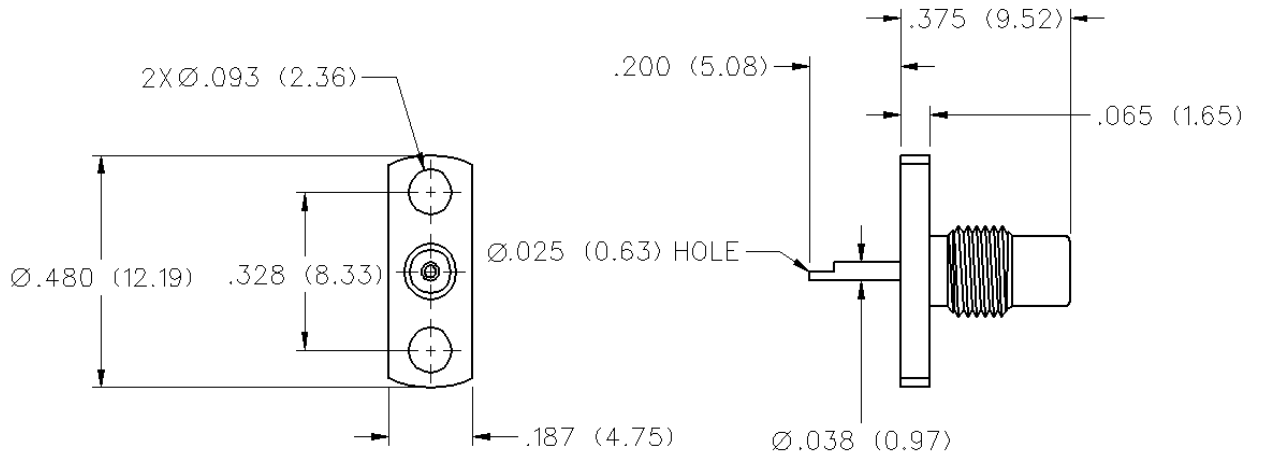
SMC - 50 Ohm Connectors

Bulkhead and Panel Mount



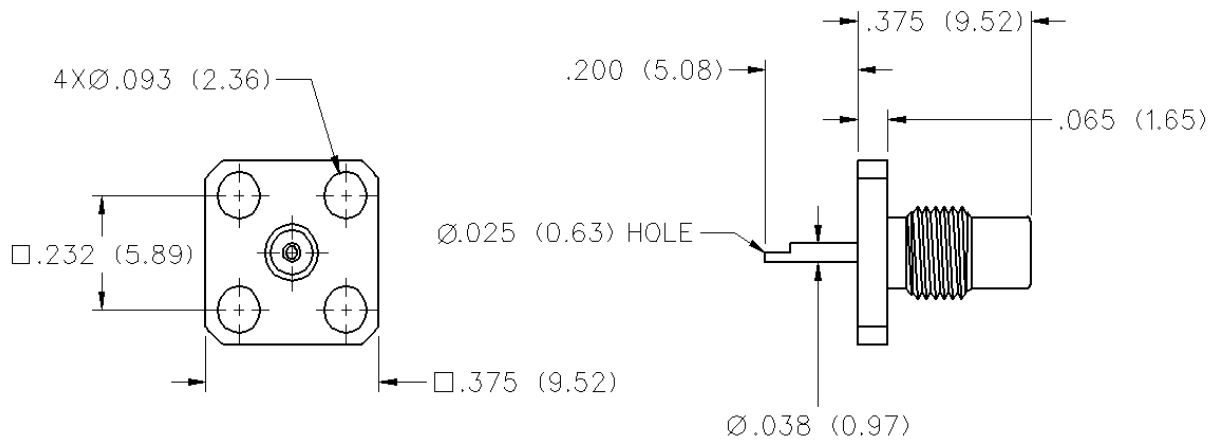
INCHES (MILLIMETERS)
CUSTOMER DRAWINGS AVAILABLE UPON REQUEST

2-Hole Flange Mount Jack Receptacle



GOLD PLATED	NICKEL PLATED
131-6701-621	131-6701-626

4-Hole Flange Mount Jack Receptacle



GOLD PLATED	NICKEL PLATED
131-6701-631	131-6701-636